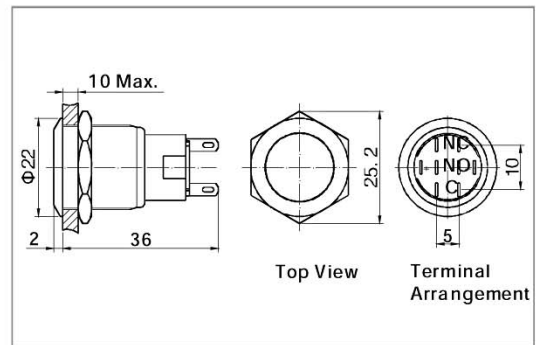


## PUSHBUTTONS



AVSLAS1-AGQ-□□□

- ⊙  $\Phi$  19mm diameter
- ⊙ 5A/250VAC
- ⊙ 1NO1NC/2NO2NC
- ⊙ The Front Shape: Flat Round
- ⊙ The crust material: Stainless Steel
- ⊙ IP Degree: IP67

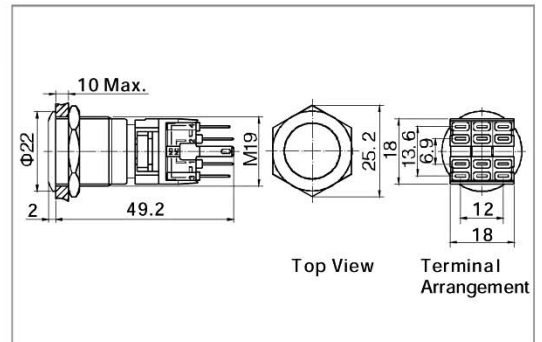


## PUSHBUTTONS



AVSLAS1-BGQ-□□□

- ⊙  $\Phi$  19mm diameter
- ⊙ Combined Structure
- ⊙ 3A/250VAC
- ⊙ 1NO1NC/2NO2NC/3NO3NC
- ⊙ The Front Shape: Flat Round
- ⊙ The crust material: Stainless Steel
- ⊙ IP Degree: IP67



Specification		AVSLAS1-AGQ- □□□	AVSLAS1-BGQ- □□□
The Front Shape		Flat Round	Flat Round
Terminal Type		Pin Terminal(2.8×0.5mm)	Pin Terminal(2.8×0.5mm)
Switching		No.3	No.2
Max.Switch Rating		5A/250VAC	5A/250VAC
Contact Resistance		≤ 50mΩ	≤ 50mΩ
Insulation Resistance		≥ 1000MΩ	≥ 1000MΩ
Dielectric Strength		2000VAC	2000VAC
Operation Temp.		-20℃ ~ +70℃	-20℃ ~ +70℃
Mechanical Life		1,000,000cycles	1,000,000cycles
Electrical Life		50,000 cycles	50,000 cycles
Contact Material		Silver Alloy	Silver Alloy
Panel Thickness		1 ~ 10mm	1 ~ 10mm
Torque		5 ~ 14Nm	5 ~ 14Nm
Operation Pressure		3~8N	3~8N
IP Degree		IP67	IP67
Material	Button	Stainless Steel	Stainless Steel
	Body	Stainless Steel	Stainless Steel
	Base	PBT	PA
RoHS		Made to order	Made to order

Introduction of product model refer to P1