

**P2 P3 P4 SPECIFICATION**



**P5** AVSGQ8-D



**P5** AVSGQ12-D



**P6** AVSGQ12-B



**P6** AVSGQ12B/A



**P7** AVSGQ16-B



**P7** AVSGQ16-F



**P7** AVSGQ16-H



**P8** AVSGQ16-B/J



**P8** AVSGQ16-F/J



**P8** AVSGQ16-H/J



**P9** AVSGQ19-B



**P9** AVSGQ19-F



**P9** AVSGQ19-H



**P10** AVSLAS2GQF-□□□



**P10** AVSLAS2GQF-□□□D



**P10** AVSLAS2GQF-□□□E



**P10** AVSLAS2GQH-□□□



**P10** AVSLAS2GQH-□□□D



**P11** AVSLAS2GQH-□□□E



**P12** AVSLAS2GQC-□□□



**P12** AVSLAS2GQG-□□□



**P13** AVSLAS1GQ-11□D



**P13** AVSLAS1GQ-11□E



**P14** AVSLAS1GQ-11□



**P14** AVSLAS1GQ-□□Y



**P15** AVSLAS1-AGQ-□□□



**P15** AVSLAS1-BGQ-□□□



**P16** AVSLAS1-AGQ-□□□D



**P16** AVSLAS1-BGQ-□□□D



**P17** AVSLAS1-AGQ-□□□E



**P17** AVSLAS1-BGQ-□□□E



**P18** AVSGQ22-11



**P19** AVSGQ22-11D



**P19** AVSGQ22-11E



**P20** AVSGQ25-B

To assist in locating the correct switch for your application, model, fixing size, contact structure, Max. Rating, and safety&capability are shown. Please refer to the detailed introduction of our products in our catalog as per the page listed in the form.

Fixing Size	Model	Contact Structure	Max. Rating	Safety&Capability	Page
Φ8mm	AVSGQ8	Signal Lamp	15mA 3~48V	Anti-vandal IP67	<b>P2</b>
Φ12mm	AVSGQ12	Signal Lamp	15mA 3~48V	Anti-vandal IP67	<b>P2</b>
		Pushbuttons: 1NO Momentary	Ith:2A Ui:48VDC	Anti-vandal IP65	<b>P3</b>
		Color Pushbuttons: 1NO Momentary	Ith:2A Ui:48VDC	IP65	<b>P3</b>
Φ16mm	AVSGQ16	Pushbuttons: 1NO Momentary	Ith:2A Ui:48VDC	Anti-vantal IP65	<b>P4 -P5</b>
	AVSLAS2GQ	Illuminated Pushbuttons: 1NO1NC Momentary 1NO1NC Alternate 2NO2NC Momentary 2NO2NC Alternate	Ith:3A Ui:250VAC	IP67	<b>P7 -P9</b>
Φ19mm	AVSGQ19	Pushbuttons: 1NO Momentary	Ith:2A Ui:48VDC	Anti-vantal IP65	<b>P6</b>
	AVSLAS1GQ	Illuminated Pushbuttons: 1NO1NC Momentary	Ith:5A Ui:250VAC	Anti-vantal IP65	<b>P10-P11</b>
		Key Switches: 1NO1NC Maintain 2NO2NC Maintain		IP40	
	AVSLAS1 - AGQ	Illuminated Pushbuttons: 1NO1NC Momentary 1NO1NC Alternate 2NO2NC Momentary 2NO2NC Alternate	Ith:5A Ui:250VAC	IP67	<b>P12-P14</b>
	AVSLAS1 - BGQ	Illuminated Pushbuttons: 1NO1NC Momentary 1NO1NC Alternate 2NO2NC Momentary 2NO2NC Alternate 3NO3NC Momentary 3NO3NC Alternate	Ith:5A Ui:250VAC	IP67	<b>P12-P14</b>
Φ22mm	AVSGQ22	Illuminated Pushbuttons: 1NO1NC Momentary	Ith:5A Ui:250VAC	IP67	<b>P15-P16</b>
Φ25mm	AVSGQ25	Pushbuttons: 1NO1NC Momentary 2NO2NC Momentary	Ith:5A Ui:250VAC	IP67	<b>P17</b>

## Implication of Type

### ◆The part-number description of indicator

AVSGQ □□ - □ / □ / □□ / □					
Code of Series	Mounting hole: 8 Φ8mm 12 Φ12mm	Operational type: D signal lamp	Color: R red G green Y yellow O orange B blue W white	Lamp voltage: 6V AC/DC 12V AC/DC 24V AC/DC	The crust material: N Nickel Plated Brass S Stainless Steel

MARK:  AVSGQ8 indicator lamp have two crust material: Nickel Plated Brass & Stainless Steel for your choice;  
 AVSGQ12 indicator lamp only have Stainless Steel crust.

### ◆The part-number description of pushbutton switch and illuminated pushbutton switch

AVSGQ □□ - □ / □ / □ / □					
Code of Series	Mounting hole: 12 Φ12mm 16 Φ16mm 19 Φ19mm	The Front Shape: B Domed F Flat Round H High Round	Connect type: J: Pin Terminal No letter means Screw Terminals	The crust material: N Nickel Plated Brass G Gold Plated Brass S Stainless Steel A Zn-Al alloy	Color: R red G green Y yellow O orange B blue W white

MARK:  AVSGQ12's crust material is Zn- Aluminium alloys, six colors are available;  
 AVSGQ22, AVSGQ25 series are in development stage.

AVSLAS2GQ □ - □□ □ □ / □ / □□ / □							
Code of Series	The Front Shape: F Flat Round H High Round C Concave Round G High Concave Round	Contact Structure: 11 1NO1NC 22 2NO2NC	Code name of derivative products: Z alternate type The momentary type is without letter	Lamp type: D dot E ring No letter means without lamp.	Lamp Color: R red G green Y yellow O orange B blue W white	Lamp voltage: 6V AC/DC 12V AC/DC 24V AC/DC 110V AC/DC 220V AC/DC	The crust material: N Nickel Plated Brass G Gold Plated Brass S Stainless Steel

MARK:  High concave round have six colors for your choice.

AVSLAS1GQ AVSLAS1-AGQ - □□ □ □ / □ / □ / □ AVSLAS1-BGQ					
Code of series	Contact structure: 11 1NO1NC 22 2NO2NC 33 3NO3NC	Code name of derivative products: Z alternate type Y key switch The momentary type is without letter	Lamp type: D dot illuminated E ring illuminated No letter means without lamp.	Lamp color: R red G green Y yellow O orange B blue W white	Lamp voltage: 6V AC/DC 12V AC/DC 24V AC/DC 110V AC/DC 220V AC/DC

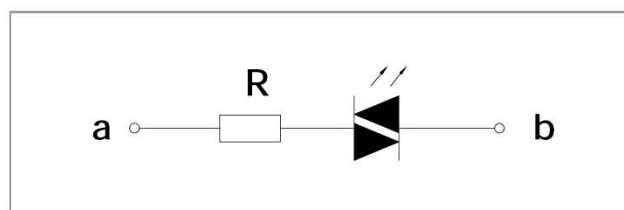
MARK:  The material of crust use Stainless Steel;  
 Front shape: Flat round.

### Lamp Ratings

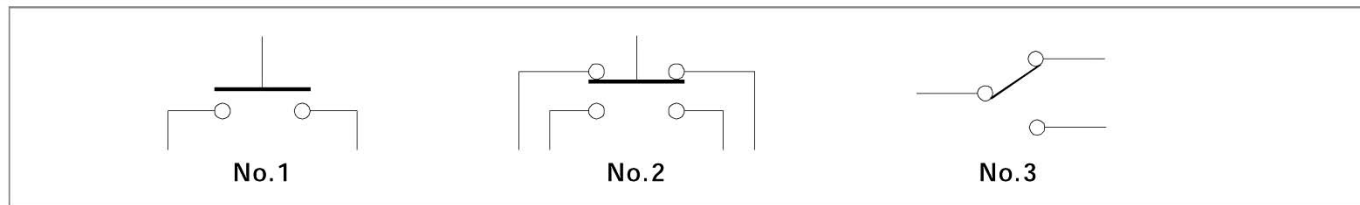
Lamp Type	LED Lamp		
Rated Voltage	AC/DC6V	AC/DC12V	AC/DC24V
	AC/DC110V		AC/DC220V
Cover Color	R	G	Y O B W
Life	About 40,000 hours		

Note: The lamp contains a current-limiting resistor.  
Other operating voltage can be customized.

### Lamp circuit diagram



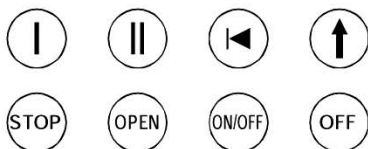
### Switching Operation



### Engraving Options

Special type can be made to order.

Examples



### Visual Effect



Nikel Plated Brass  
Satin surface



Stainless Steel  
Spiral surface



Gold-plated brass  
Satin surface

### Soldering Information

Handiwork soldering: Soldering iron 30W or under 30W at 230°C for 3sec max.

### Purchasing Notice

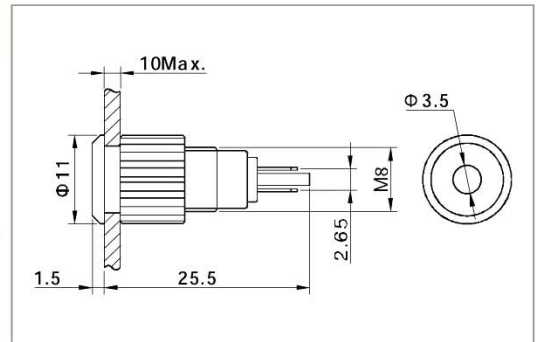
- Please write code after check the Implication of Type and the detailed specification in the catalogue.
- Please place an order over 1,000pcs if the products need to be made to order.
- All IP Degree listed in our forms can seal front of panel only.

### PILOT LAMP



AVSGQ8-D

- ⊙  $\Phi 8$ mm diameter
- ⊙ Voltage Range:3~48V
- ⊙ Rated Current:15mA
- ⊙ Lamp Type:LED
- ⊙ Lamp Color: **R** **G** **Y** **O** **B** **W**
- ⊙ The crust material:Stainless Steel/  
Nikel Plated Brass
- ⊙ IP Degree:IP67

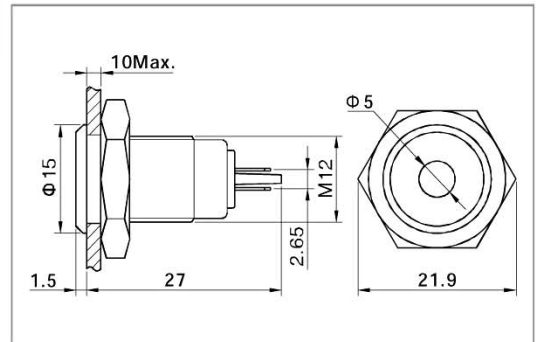


### PILOT LAMP



AVSGQ12-D

- ⊙  $\Phi 12$ mm diameter
- ⊙ Voltage Range:3~48V
- ⊙ Rated Current:15mA
- ⊙ Lamp Type:LED
- ⊙ Lamp Color: **R** **G** **Y** **O** **B** **W**
- ⊙ The crust material:Stainless Steel
- ⊙ IP Degree:IP67



Specification	AVSGQ8-D	AVSGQ12-D
Terminal Type	Pin Terminal(1.8×0.4mm)	Pin Terminal(1.8×0.4mm)
Dielectric Strength	1100VAC	2000VAC
Operating Temp	-20°C ~ +70°C	-20°C ~ +70°C
Panel Thickness	1 ~ 6mm	1 ~ 6mm
Torque	5 ~ 14Nm	5 ~ 14Nm
IP Degree	IP67	IP67
Material	Button	PC
	Body	Stainless Steel/Nikel Plated Brass
	Base	PBT
	RoHS	Made to order
LED Spec.	Type	Pilot lamp(LED)
	Rated Voltage	6V/12V/24V
	Color	<b>R</b> <b>G</b> <b>Y</b> <b>O</b> <b>B</b> <b>W</b>
	Life	About 40,000 hours

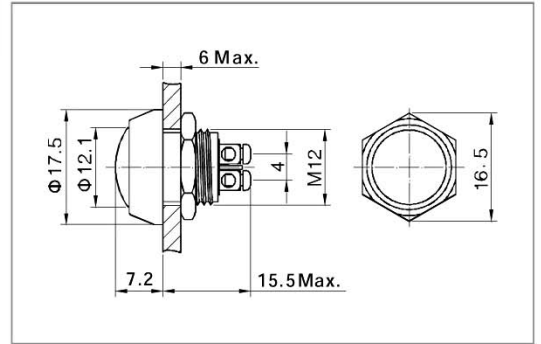
Introduction of product model refer to P1

### PUSH BUTTON SWITCH



AVSQ12-B

- ⊙  $\Phi$  12mm diameter
- ⊙ 2A/48VDC
- ⊙ 1NO
- ⊙ Domed profile
- ⊙ The crust material: Stainless Steel/  
Nikel Plated Brass
- ⊙ IP Degree: IP65

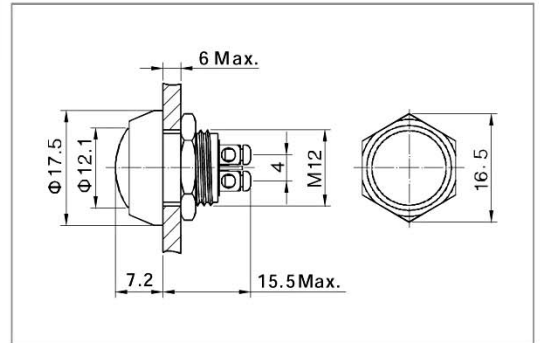


### COLOR PUSH BUTTON SWITCH



AVSQ12-B/A

- ⊙  $\Phi$  12mm diameter
- ⊙ 2A/48VDC
- ⊙ 1NO
- ⊙ Domed profile
- ⊙ The crust material: Zn - Al alloy
- ⊙ Material of actuator: PBT
- ⊙ Head Color: R G Y O B W
- ⊙ IP Degree: IP65



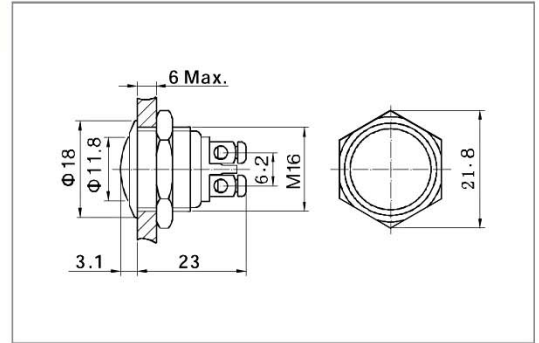
Specification	AVSQ12-B	AVSQ12-B/A
Terminal Type	Screw Terminals	Screw Terminals
Switching	No.1	No.1
Max. Switch Rating	2A/48VDC	2A/48VDC
Contact Resistance	$\leq 50m\Omega$	$\leq 50m\Omega$
Insulation Resistance	$\geq 1000M\Omega$	$\geq 1000M\Omega$
Dielectric Strength	2000VAC	2000VAC
Operation Temp.	-20°C ~ +70°C	-20°C ~ +70°C
Mechanical Life	1,000,000cycles	1,000,000cycles
Electrical Life	200,000cycles	200,000cycles
Contact Material	Silver Alloy	Silver Alloy
Panel Thickness	1 ~ 6mm	1 ~ 6mm
Torque	5 ~ 14Nm	5 ~ 14Nm
Operation Pressure	5.5N	5.5N
IP Degree	IP65	IP65
Material	Button	Stainless Steel/Nikel Plated Brass
	Body	Stainless Steel/Nikel Plated Brass
	Base	PBT
Head color	---	<span style="color: red;">R</span> <span style="color: green;">G</span> <span style="color: yellow;">Y</span> <span style="color: orange;">O</span> <span style="color: blue;">B</span> <span style="border: 1px solid black; padding: 0 2px;">W</span>
<span style="background-color: green; color: white; padding: 2px;">RoHS</span>	Made to order	Made to order

## PUSH BUTTON SWITCH



AVSGQ16-B

- ⊙ Φ 16mm diameter
- ⊙ 2A/48VDC
- ⊙ 1NO
- ⊙ The Front Shape: Domed
- ⊙ The crust material: Stainless Steel/ Brass (Nikel Plated, Gold Plated)
- ⊙ IP Degree: IP65

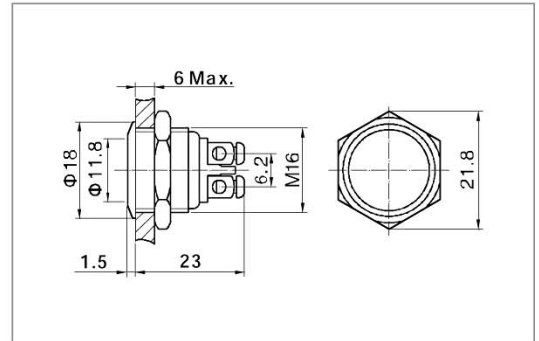


## PUSH BUTTON SWITCH



AVSGQ16-F

- ⊙ Φ 16mm diameter
- ⊙ 2A/48VDC
- ⊙ 1NO
- ⊙ The Front Shape: Flat Round
- ⊙ The crust material: Stainless Steel/ Brass (Nikel Plated, Gold Plated)
- ⊙ IP Degree: IP65

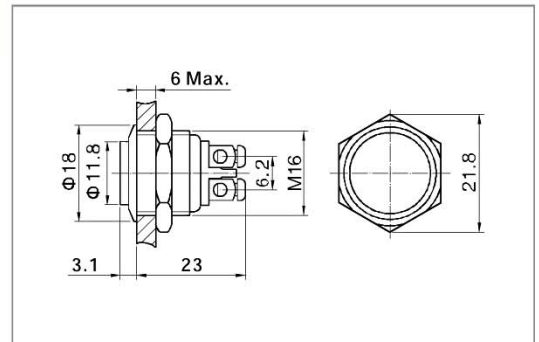


## PUSH BUTTON SWITCH



AVSGQ16-H

- ⊙ Φ 16mm diameter
- ⊙ 2A/48VDC
- ⊙ 1NO
- ⊙ The Front Shape: High Round
- ⊙ The crust material: Stainless Steel/ Brass (Nikel Plated, Gold Plated)
- ⊙ IP Degree: IP65



Specification	AVSGQ16-B	AVSGQ16-F	AVSGQ16-H
The Front Shape	Domed	Flat Round	High Round
Terminal Type	Screw Terminals	Screw Terminals	Screw Terminals
Switching	No. 1	No. 1	No. 1
Max. Switch Rating	2A/48VDC	2A/48VDC	2A/48VDC
Contact Resistance	≤ 50mΩ	≤ 50mΩ	≤ 50mΩ
Insulation Resistance	≥ 1000MΩ	≥ 1000MΩ	≥ 1000MΩ
Dielectric Strength	2000VAC	2000VAC	2000VAC
Operation Temp.	-20°C ~ +70°C	-20°C ~ +70°C	-20°C ~ +70°C
Mechanical Life	1,000,000cycles	1,000,000cycles	1,000,000cycles
Electrical Life	200,000cycles	200,000cycles	200,000cycles
Contact Material	Silver Alloy	Silver Alloy	Silver Alloy
Panel Thickness	1 ~ 6mm	1 ~ 6mm	1 ~ 6mm
Torque	5 ~ 14Nm	5 ~ 14Nm	5 ~ 14Nm
Operation Pressure	5.5N	5.5N	5.5N
IP Degree	IP65	IP65	IP65
Material	Button	Stainless Steel/Brass (Nikel Plated, Gold Plated)	Stainless Steel/Brass (Nikel Plated, Gold Plated)
	Body	Stainless Steel/Brass (Nikel Plated, Gold Plated)	Stainless Steel/Brass (Nikel Plated, Gold Plated)
	Base	PBT	PBT
RoHS	Made to order	Made to order	Made to order

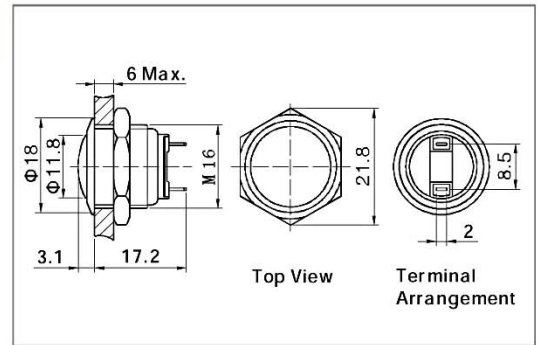
Introduction of product model refer to P1

### PUSH BUTTON SWITCH



AVSGQ16-B/J

- ⊙ Φ 16mm diameter
- ⊙ 2A/48VDC
- ⊙ 1NO
- ⊙ Front Shape:Domed
- ⊙ crust material:Stainless Steel/  
Brass(Nikel Plated,Gold Plated)
- ⊙ IP Degree:IP65

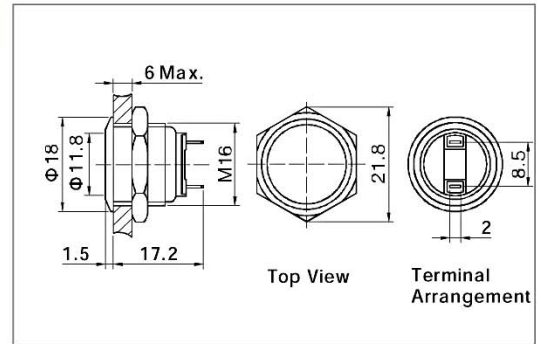


### PUSH BUTTON SWITCH



AVSGQ16-F/J

- ⊙ Φ 16mm diameter
- ⊙ 2A/48VDC
- ⊙ 1NO
- ⊙ Front Shape:Flat Round
- ⊙ Crust material:Stainless Steel/  
Brass(Nikel Plated,Gold Plated)
- ⊙ IP Degree:IP65

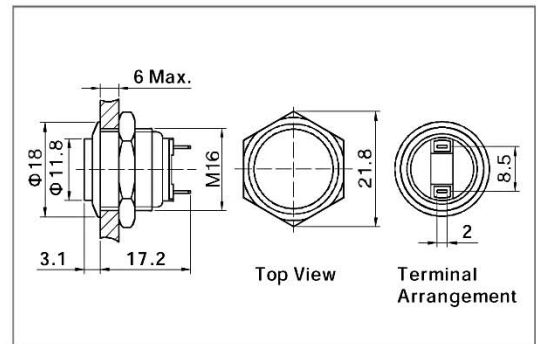


### PUSH BUTTON SWITCH



AVSGQ16-H/J

- ⊙ Φ 16mm diameter
- ⊙ 2A/48VDC
- ⊙ 1NO
- ⊙ Front Shape:High Round
- ⊙ Crust material:Stainless Steel/  
Brass(Nikel Plated,Gold Plated)
- ⊙ IP Degree:IP65

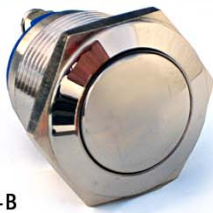


Specification	AVSGQ16-B/J	AVSGQ16-F/J	AVSGQ16-H/J
The Front Shape	Domed	Flat Round	High Round
Terminal Type	Pin Terminal(2×0.5mm)	Pin Terminal(2×0.5mm)	Pin Terminal(2×0.5mm)
Switching	No.1	No.1	No.1
Max.Switch Rating	2A/48VDC	2A/48VDC	2A/48VDC
Contact Resistance	≤ 50mΩ	≤ 50mΩ	≤ 50mΩ
Insulation Resistance	≥ 1000MΩ	≥ 1000MΩ	≥ 1000MΩ
Dielectric Strength	2000VAC	2000VAC	2000VAC
Operation Temp.	-20°C ~ +70°C	-20°C ~ +70°C	-20°C ~ +70°C
Mechanical Life	1,000,000cycles	1,000,000cycles	1,000,000cycles
Electrical Life	200,000cycles	200,000cycles	200,000cycles
Contact Material	Silver Alloy	Silver Alloy	Silver Alloy
Panel Thickness	1 ~ 6mm	1 ~ 6mm	1 ~ 6mm
Torque	5 ~ 14Nm	5 ~ 14Nm	5 ~ 14Nm
Operation Pressure	5.5N	5.5N	5.5N
IP Degree	IP65	IP65	IP65
Material	Button	Stainless Steel/Brass(Nikel Plated,Gold Plated)	Stainless Steel/Brass(Nikel Plated,Gold Plated)
	Body	Stainless Steel/Brass(Nikel Plated,Gold Plated)	Stainless Steel/Brass(Nikel Plated,Gold Plated)
	Base	PBT	PBT
RoHS	Made to order	Made to order	Made to order

Introduction of product model refer to P1

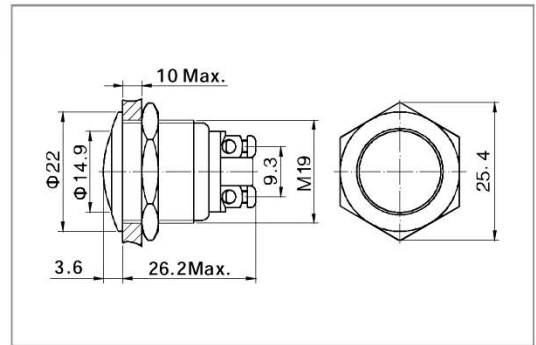


### PUSH BUTTON SWITCH



AVSGQ19-B

- ⊙  $\Phi$ 19mm diameter
- ⊙ 2A/48VDC
- ⊙ 1NO
- ⊙ The Front Shape:Domed
- ⊙ The crust material:Stainless Steel/  
Brass(Nikel Plated,Gold Plated)
- ⊙ IP Degree:IP65

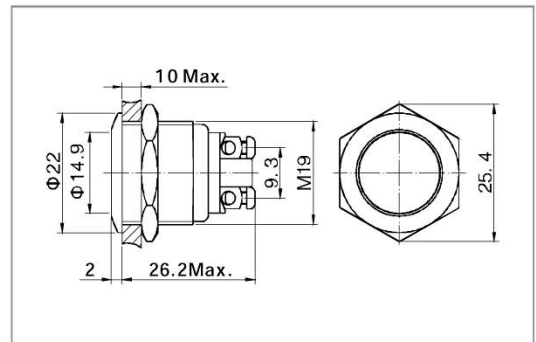


### PUSH BUTTON SWITCH



AVSGQ19-F

- ⊙  $\Phi$ 19mm diameter
- ⊙ 2A/48VDC
- ⊙ 1NO
- ⊙ The Front Shape:Flat Round
- ⊙ The crust material:Stainless Steel/  
Brass(Nikel Plated,Gold Plated)
- ⊙ IP Degree:IP65

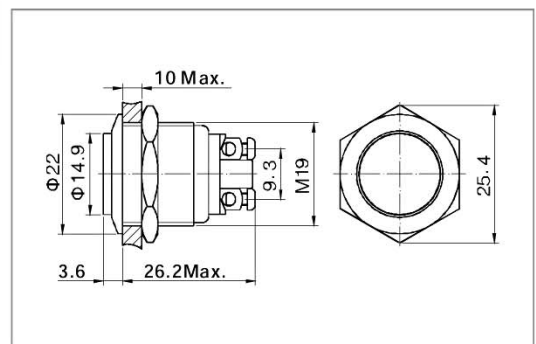


### PUSH BUTTON SWITCH



AVSGQ19-H

- ⊙  $\Phi$ 19mm diameter
- ⊙ 2A/48VDC
- ⊙ 1NO
- ⊙ The Front Shape:High Round
- ⊙ The crust material:Stainless Steel/  
Brass(Nikel Plated, Gold Plated)
- ⊙ IP Degree:IP65



Specification	AVSGQ19-B	AVSGQ19-F	AVSGQ19-H
The Front Shape	Domed	Flat Round	High Round
Terminal Type	Screw Terminals	Screw Terminals	Screw Terminals
Switching	No.1	No.1	No.1
Max. Switch Rating	2A/48VDC	2A/48VDC	2A/48VDC
Contact Resistance	$\leq 50m\Omega$	$\leq 50m\Omega$	$\leq 50m\Omega$
Insulation Resistance	$\geq 1000M\Omega$	$\geq 1000M\Omega$	$\geq 1000M\Omega$
Dielectric Strength	2000VAC	2000VAC	2000VAC
Operation Temp.	-20°C ~ +70°C	-20°C ~ +70°C	- 20°C ~ + 70°C
Mechanical Life	1,000,000cycles	1,000,000cycles	1,000,000cycles
Electrical Life	200,000cycles	200,000cycles	200,000cycles
Contact Material	Silver Alloy	Silver Alloy	Silver Alloy
Panel Thickness	1 ~ 8mm	1 ~ 8mm	1 ~ 8mm
Torque	5 ~ 14Nm	5 ~ 14Nm	5 ~ 14Nm
Operation Pressure	5.5N	5.5N	5.5N
IP Degree	IP65	IP65	IP65
Material	Button	Stainless Steel/Brass(Nikel Plated,Gold Plated)	Stainless Steel/Brass(Nikel Plated,Gold Plated)
	Body	Stainless Steel/Brass(Nikel Plated,Gold Plated)	Stainless Steel/Brass(Nikel Plated,Gold Plated)
	Base	PBT	PBT
RoHS	Made to order	Made to order	Made to order

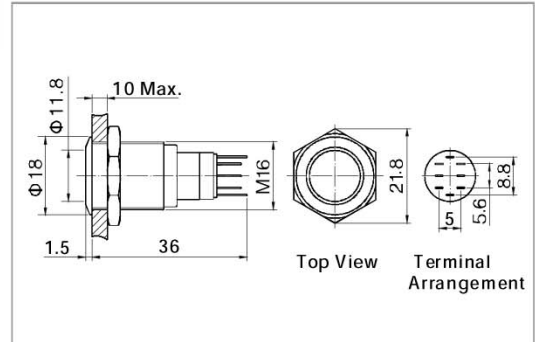
Introduction of product model refer to P1

## PUSH BUTTON SWITCH



AVSLAS2GQF-□□□

- ⊙  $\Phi$  16mm diameter
- ⊙ 3A/250VAC
- ⊙ 1NO1NC/2NO2NC
- ⊙ Front Shape: Flat Round
- ⊙ Crust material: Stainless Steel/  
Brass (Nikel Plated, Gold Plated)
- ⊙ IP Degree: IP40/IP67

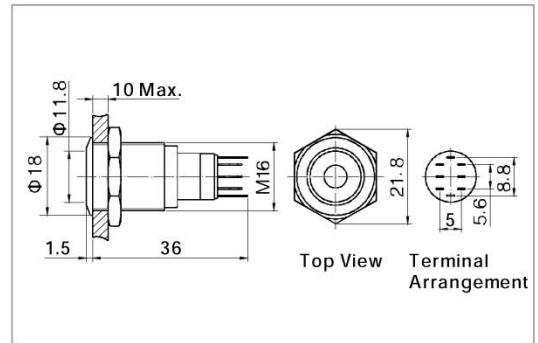


## PUSH BUTTON SWITCH



AVSLAS2GQF-□□□D

- ⊙  $\Phi$  16mm diameter
- ⊙ 3A/250VAC
- ⊙ 1NO1NC/2NO2NC
- ⊙ Front Shape: Flat Round
- ⊙ Crust material: Stainless Steel/  
Brass (Nikel Plated, Gold Plated)
- ⊙ Dot Illuminated
- ⊙ IP Degree: IP40/IP67

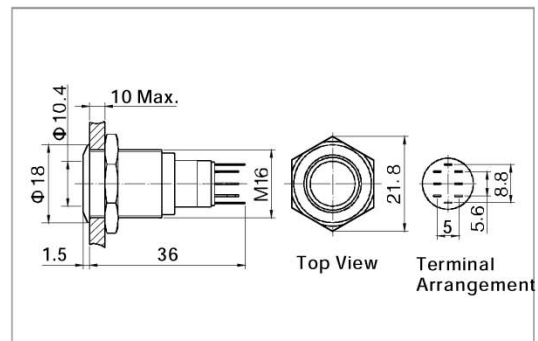


## PUSH BUTTON SWITCH



AVSLAS2GQF-□□□E

- ⊙  $\Phi$  16mm diameter
- ⊙ 3A/250VAC
- ⊙ 1NO1NC/2NO2NC
- ⊙ Front Shape: Flat Round
- ⊙ Crust material: Stainless Steel/  
Brass (Nikel Plated, Gold Plated)
- ⊙ Ring Illuminated
- ⊙ IP Degree: IP40/IP67

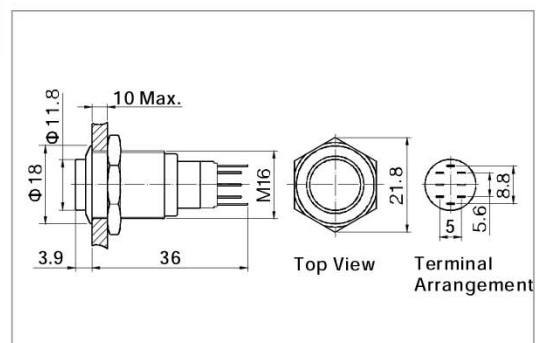


## PUSH BUTTON SWITCH



AVSLAS2GQH-□□□

- ⊙  $\Phi$  16mm diameter
- ⊙ 3A/250VAC
- ⊙ 1NO1NC/2NO2NC
- ⊙ Front Shape: High Round
- ⊙ Crust material: Stainless Steel/  
Brass (Nikel Plated, Gold Plated)
- ⊙ IP Degree: IP40/IP67

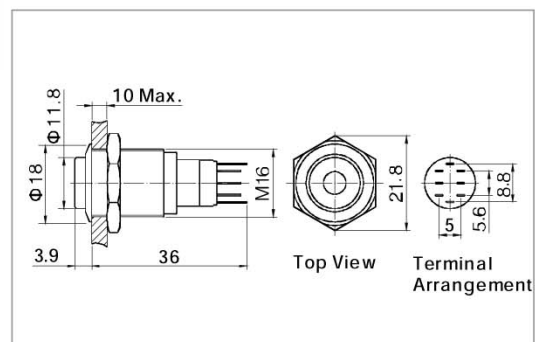


## PUSH BUTTON SWITCH



AVSLAS2GQH-□□□D

- ⊙  $\Phi$  16mm diameter
- ⊙ 3A/250VAC
- ⊙ 1NO1NC/2NO2NC
- ⊙ Front Shape: High Round
- ⊙ Crust material: Stainless Steel/  
Brass (Nikel Plated, Gold Plated)
- ⊙ Dot Illuminated
- ⊙ IP Degree: IP40/IP67

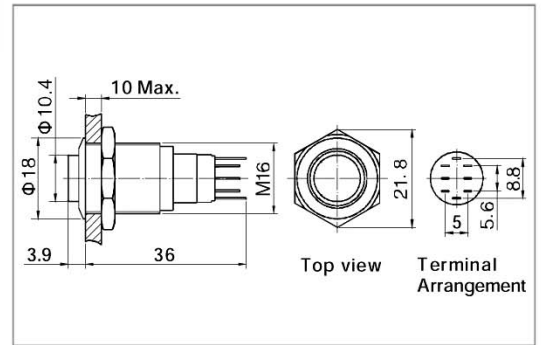


Introduction of product model refer to P1

## PUSH BUTTON SWITCH



- ⊙ Φ16mm diameter
- ⊙ 3A/250VAC
- ⊙ 1NO1NC/2NO2NC
- ⊙ Front Shape:High Round
- ⊙ Crust material:Stainless Steel/  
Brass(Nikel Plated,Gold Plated)
- ⊙ Ring Illuminated
- ⊙ IP Degree:IP40/IP67



AVSLAS2GQH- □□□ E

Specification	AVSLAS2GQF- □□□ AVSLAS2GQH- □□□	AVSLAS2GQF- □□□D AVSLAS2GQH- □□□D	AVSLAS2GQF- □□□E AVSLAS2GQH- □□□E
The Front Shape	Flat Round High Round	Flat Round High Round	Flat Round High Round
Terminal Type	Pin Terminal(1.8×0.4mm)	Pin Terminal(1.8×0.4mm)	Pin Terminal(1.8×0.4mm)
Switching	No.3	No.3	No.3
Max. Switch Rating	3A/250VAC	3A/250VAC	3A/250VAC
Contact Resistance	≤ 50mΩ	≤ 50mΩ	≤ 50mΩ
Insulation Resistance	≥ 1000MΩ	≥ 1000MΩ	≥ 1000MΩ
Dielectric Strength	2000VAC	2000VAC	2000VAC
Operation Temp.	-20°C ~ +70°C	-20°C ~ +70°C	-20°C ~ +70°C
Mechanical Life	200,000cycles	200,000cycles	200,000cycles
Electrical Life	50,000 cycles	50,000 cycles	50,000 cycles
Contact Material	Silver Alloy	Silver Alloy	Silver Alloy
Panel Thickness	1 ~ 10mm	1 ~ 10mm	1 ~ 10mm
Torque	5 ~ 14Nm	5 ~ 14Nm	5 ~ 14Nm
Operation Pressure	1 ~ 3N	1 ~ 3N	1 ~ 3N
IP Degree	IP40/IP67	IP40/IP67	IP40/IP67
Material	Button	Stainless Steel/Brass(Nikel Plated,Gold Plated)	Stainless Steel/Brass(Nikel Plated,Gold Plated)
	Body	Stainless Steel/Brass(Nikel Plated,Gold Plated)	Stainless Steel/Brass(Nikel Plated,Gold Plated)
	Base	PBT	PBT
	RoHS	Made to order	Made to order
LED Spec.	Type	Without Lamp	Dot Illuminated(LED) Ring Illuminated(LED)
	Rated Voltage	---	6V / 12V / 24V / 110V / 220V
	Color	---	R G Y O B W
	Life	---	40,000 hours

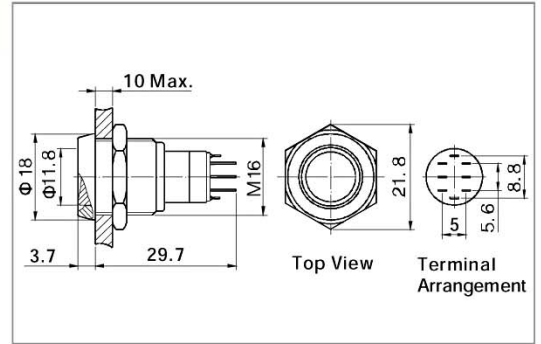
Introduction of product model refer to P1

## PUSH BUTTON SWITCH



AVSLAS2GQC-□□□

- ⊙ Φ16mm diameter
- ⊙ 3A/250VAC
- ⊙ 1NO1NC/2NO2NC
- ⊙ The Front Shape:Concave Round
- ⊙ The crust material:Stainless Steel/ Brass(Nikel Plated,Gold Plated)
- ⊙ IP Degree:IP67

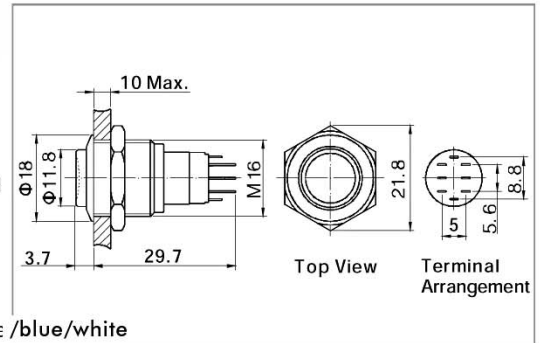


## PUSH BUTTON SWITCH



AVSLAS2GQG-□□□

- ⊙ Φ16mm diameter
- ⊙ 3A/250VAC
- ⊙ 1NO1NC/2NO2NC
- ⊙ The Front Shape:High Concave Round
- ⊙ The crust material:Stainless Steel/ Brass(Nikel Plated,Gold Plated)
- ⊙ IP Degree:IP67
- ⊙ Head Color:red/green/yellow/orange/blue/white



Specification	AVSLAS2GQC- □□□	AVSLAS2GQG- □□□
The Front Shape	Concave Round	High Concave Round
Terminal Type	Pin Terminal	Pin Terminal
Switching	No.3	No.3
Max. Switch Rating	3A/250VAC	3A/250VAC
Contact Resistance	≤ 50mΩ	≤ 50mΩ
Insulation Resistance	≥ 1000MΩ	≥ 1000MΩ
Dielectric Strength	2000VAC	2000VAC
Operation Temp.	-20°C ~ +70°C	-20°C ~ +70°C
Mechanical Life	200,000cycles	200,000cycles
Electrical Life	50,000 cycles	50,000 cycles
Contact Material	Silver Alloy	Silver Alloy
Panel Thickness	1 ~ 10mm	1 ~ 10mm
Torque	5 ~ 14Nm	5 ~ 14Nm
Operation Pressure	1~3N	1~3N
IP Degree	IP67	IP67
Head color	—	<span style="color:red">R</span> <span style="color:green">G</span> <span style="color:yellow">Y</span> <span style="color:orange">O</span> <span style="color:blue">B</span> <span style="border:1px solid black; padding:0 2px;">W</span>
<b>RoHS</b>	Made to order	Made to order
Material	Button	Alluminium Alloy
	Body	Stainless Steel/Brass(Nikel Plated,Gold Plated)
	Base	PBT

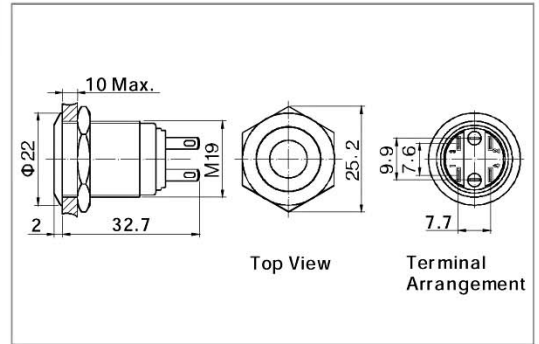
Introduction of product model refer to P1

## DOT ILLUMINATED PUSHBUTTON

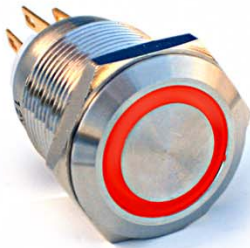


- ⊙  $\Phi$ 19mm diameter
- ⊙ 5A/250VAC
- ⊙ 1NO1NC
- ⊙ The crust material:Stainless Steel
- ⊙ Dot Illuminated
- ⊙ IP Degree:IP65

AVSLAS1GQ-11□ D

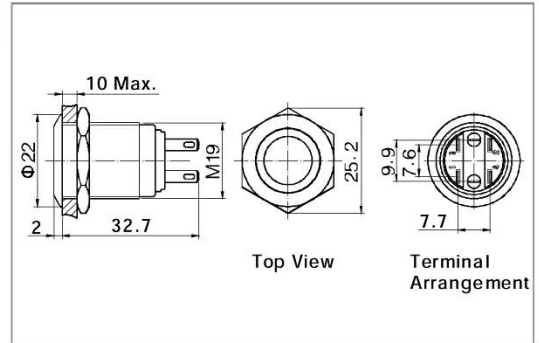


## RING ILLUMINATED PUSHBUTTON



- ⊙  $\Phi$ 19mm diameter
- ⊙ 5A/250VAC
- ⊙ 1NO1NC
- ⊙ The crust material:Stainless Steel
- ⊙ Ring Illuminated
- ⊙ IP Degree:IP65

AVSLAS1GQ-11□ E



Specification	AVSLAS1GQ-11□ D	AVSLAS1GQ-11 □ E
The Front Shape	Flat Round	Flat Round
Terminal Type	Pin Terminal(2.8×0.5mm)	Pin Terminal(2.8×0.5mm)
Switching	No.2	No.2
Max. Switch Rating	5A/250VAC	5A/250VAC
Contact Resistance	$\leq 50m\Omega$	$\leq 50m\Omega$
Insulation Resistance	$\geq 1000M\Omega$	$\geq 1000M\Omega$
Dielectric Strength	2000VAC	2000VAC
Operation Temp.	-20°C ~ +70°C	-20°C ~ +70°C
Mechanical Life	1,000,000cycles	1,000,000cycles
Electrical Life	50,000 cycles	50,000 cycles
Contact Material	Silver Alloy	Silver Alloy
Panel Thickness	1 ~ 10mm	1 ~ 10mm
Torque	5 ~ 14Nm	5 ~ 14Nm
Operation Pressure	5.5N	5.5N
IP Degree	IP65	IP65
Material	Button	Stainless Steel
	Body	Stainless Steel
	Base	PBT
	RoHS	Made to order
LED Spec.	Type	Dot Illuminated(LED)
	Rated Voltage	6V / 12V / 24V / 110V / 220V
	Color	R G Y O B W
	Life	40,000 hours
		Made to order
	Type	Ring Illuminated(LED)
	Rated Voltage	6V / 12V / 24V / 110V / 220V
	Color	R G Y O B W
	Life	40,000 hours

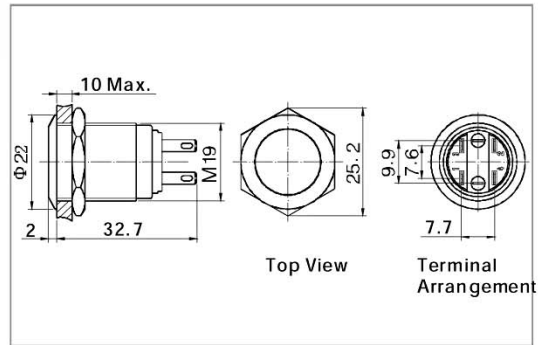
Introduction of product model refer to P1

## PUSHBUTTONS



AVSLAS1GQ-11□

- ⊙ Φ 19mm diameter
- ⊙ 5A/250VAC
- ⊙ 1NO1NC
- ⊙ Front Shape: Flat Round
- ⊙ Crust material: Stainless Steel
- ⊙ IP Degree: IP65

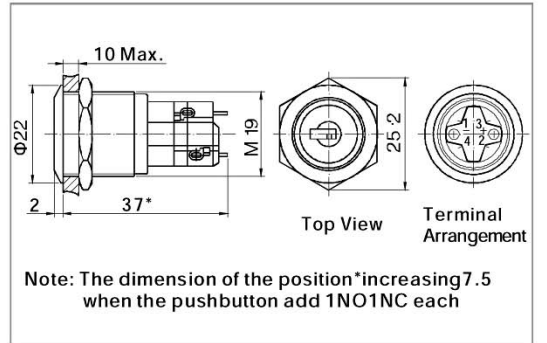


## KEY SWITCHES



AVSLAS1GQ-□□Y

- ⊙ Φ 19mm diameter
- ⊙ 5A/250VAC
- ⊙ 1NO1NC/2NO2NC
- ⊙ Two position remain
- ⊙ Crust material: Stainless Steel
- ⊙ IP Degree: IP40



Specification	AVSLAS1GQ-11 □	AVSLAS1GQ- □□Y
The Front Shape	Flat Round	Round
Terminal Type	Pin Terminal(2.8×0.5mm)	Pin Terminal
Switching	No.2	No.2
Max. Switch Rating	5A/250VAC	5A/250VAC
Contact Resistance	≤ 50mΩ	≤ 50mΩ
Insulation Resistance	≥ 1000MΩ	≥ 1000MΩ
Dielectric Strength	2000VAC	2000VAC
Operation Temp.	-20°C ~ +70°C	-20°C ~ +70°C
Mechanical Life	1,000,000cycles	1,000,000cycles
Electrical Life	50,000 cycles	50,000 cycles
Contact Material	Silver Alloy	Silver Alloy
Panel Thickness	1 ~ 10mm	1 ~ 10mm
Torque	5 ~ 14Nm	5 ~ 14Nm
Operation Pressure	3~8N	3~8N
IP Degree	IP65	IP40
Material	Button	Stainless Steel
	Body	Stainless Steel
	Base	PBT
RoHS	Made to order	Made to order

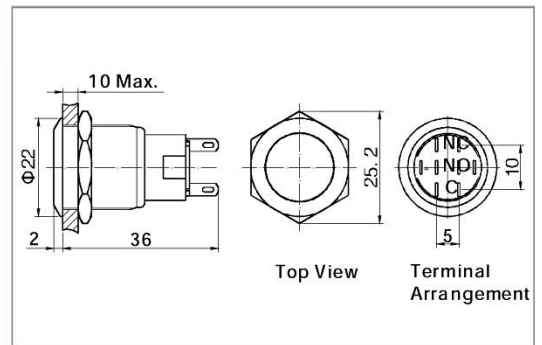
Introduction of product model refer to P1

## PUSHBUTTONS



AVSLAS1-AGQ-□□□

- ⊙  $\Phi$  19mm diameter
- ⊙ 5A/250VAC
- ⊙ 1NO1NC/2NO2NC
- ⊙ The Front Shape: Flat Round
- ⊙ The crust material: Stainless Steel
- ⊙ IP Degree: IP67

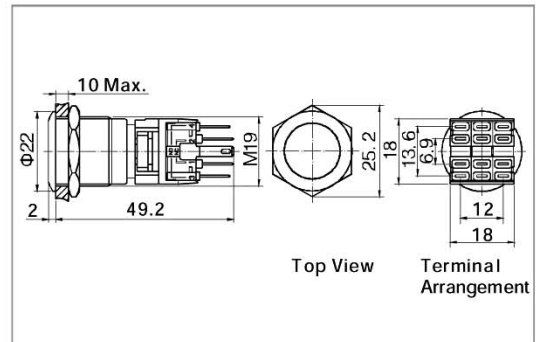


## PUSHBUTTONS



AVSLAS1-BGQ-□□□

- ⊙  $\Phi$  19mm diameter
- ⊙ Combined Structure
- ⊙ 3A/250VAC
- ⊙ 1NO1NC/2NO2NC/3NO3NC
- ⊙ The Front Shape: Flat Round
- ⊙ The crust material: Stainless Steel
- ⊙ IP Degree: IP67



Specification	AVSLAS1-AGQ- □□□	AVSLAS1-BGQ- □□□
The Front Shape	Flat Round	Flat Round
Terminal Type	Pin Terminal(2.8×0.5mm)	Pin Terminal(2.8×0.5mm)
Switching	No.3	No.2
Max.Switch Rating	5A/250VAC	5A/250VAC
Contact Resistance	≤ 50mΩ	≤ 50mΩ
Insulation Resistance	≥ 1000MΩ	≥ 1000MΩ
Dielectric Strength	2000VAC	2000VAC
Operation Temp.	-20℃ ~ +70℃	-20℃ ~ +70℃
Mechanical Life	1,000,000cycles	1,000,000cycles
Electrical Life	50,000 cycles	50,000 cycles
Contact Material	Silver Alloy	Silver Alloy
Panel Thickness	1 ~ 10mm	1 ~ 10mm
Torque	5 ~ 14Nm	5 ~ 14Nm
Operation Pressure	3~8N	3~8N
IP Degree	IP67	IP67
Material	Button	Stainless Steel
	Body	Stainless Steel
	Base	PA
RoHS	Made to order	Made to order

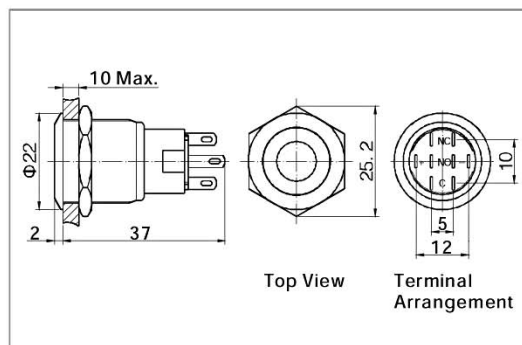
Introduction of product model refer to P1

### DOT ILLUMINATED PUSHBUTTON



- ⊙ Φ 19mm diameter
- ⊙ 5A/250VAC
- ⊙ 1NO1NC/2NO2NC
- ⊙ The Front Shape: Flat Round
- ⊙ The crust material: Stainless Steel
- ⊙ Dot Illuminated
- ⊙ IP Degree: IP67

AVSLAS1-AGQ-□□□D

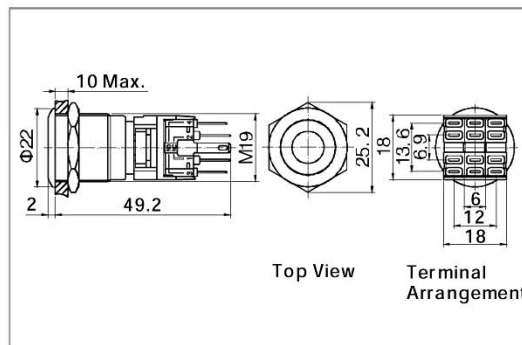


### DOT ILLUMINATED PUSHBUTTON



- ⊙ Φ 19mm diameter
- ⊙ Combined Structure
- ⊙ 5A/250VAC
- ⊙ 1NO1NC/2NO2NC/3NO3NC
- ⊙ The Front Shape: Flat Round
- ⊙ The crust material: Stainless Steel
- ⊙ Dot Illuminated
- ⊙ IP Degree: IP67

AVSLAS1-BGQ-□□□D



Specification		AVSLAS1-AGQ- □□□D	AVSLAS1-BGQ- □□□D
The Front Shape		Flat Round	Flat Round
Terminal Type		Pin Terminal(2.8×0.5mm)	Pin Terminal(2.8×0.5mm)
Switching		No.3	No.2
Max.Switch Rating		5A/250VAC	5A/250VAC
Contact Resistance		≤50mΩ	≤50mΩ
Insulation Resistance		≥1000MΩ	≥1000MΩ
Dielectric Strength		2000VAC	2000VAC
Operation Temp.		-20℃ ~ +70℃	-20℃ ~ +70℃
Mechanical Life		1,000,000cycles	1,000,000cycles
Electrical Life		50,000 cycles	50,000 cycles
Contact Material		Silver Alloy	Silver Alloy
Panel Thickness		1 ~ 10mm	1 ~ 10mm
Torque		5 ~ 14Nm	5 ~ 14Nm
Operation Pressure		3~8N	3~8N
IP Degree		IP67	IP67
Material	Button	Stainless Steel	Stainless Steel
	Body	Stainless Steel	Stainless Steel
	Base	PBT	PA
RoHS		Made to order	Made to order
LED Spec.	Type	Dot Illuminated(LED)	Dot Illuminated(LED)
	Rated Voltage	6V / 12V / 24V / 110V / 220V	6V / 12V / 24V / 110V / 220V
	Color	<span style="color: red;">R</span> <span style="color: green;">G</span> <span style="color: yellow;">Y</span> <span style="color: orange;">O</span> <span style="color: blue;">B</span> <span style="border: 1px solid black; padding: 0 2px;">W</span>	<span style="color: red;">R</span> <span style="color: green;">G</span> <span style="color: yellow;">Y</span> <span style="color: orange;">O</span> <span style="color: blue;">B</span> <span style="border: 1px solid black; padding: 0 2px;">W</span>
	Life	40,000 hours	40,000 hours

Introduction of product model refer to P1

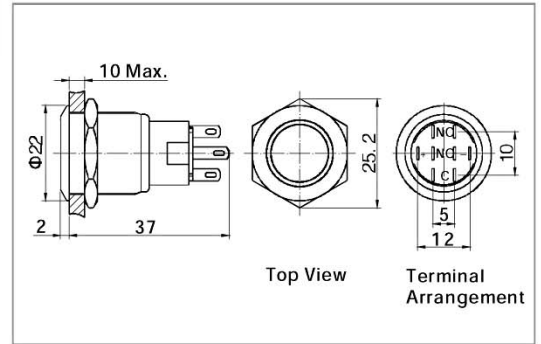


## RING ILLUMINATED PUSHBUTTON



- ⊙ Φ19mm diameter
- ⊙ 5A/250VAC
- ⊙ 1NO1NC/2NO2NC
- ⊙ The Front Shape: Flat Round
- ⊙ The crust material: Stainless Steel
- ⊙ Ring Illuminated
- ⊙ IP Degree: IP67

AVSLAS1-AGQ-□□□E

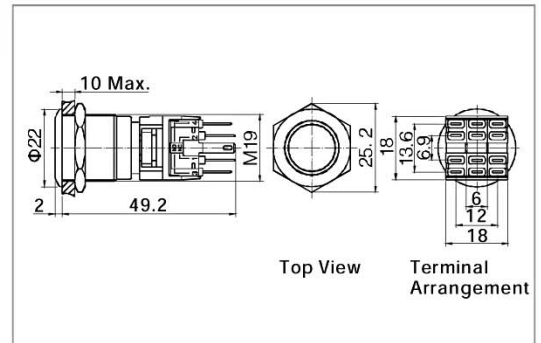


## RING ILLUMINATED PUSHBUTTON



- ⊙ Φ19mm diameter
- ⊙ Combined Structure
- ⊙ 5A/250VAC
- ⊙ 1NO1NC/2NO2NC/
- ⊙ The Front Shape: Flat Round
- ⊙ The crust material: Stainless Steel
- ⊙ Ring Illuminated
- ⊙ IP Degree: IP67

AVSLAS1-BGQ-□□□E



Specification	AVSLAS1-AGQ- □□□E	AVSLAS1-BGQ- □□□E
The Front Shape	Flat Round	Flat Round
Terminal Type	Pin Terminal(2.8×0.5mm)	Pin Terminal(2.8×0.5mm)
Switching	No.3	No.2
Max. Switch Rating	5A/250VAC	5A/250VAC
Contact Resistance	≤ 50mΩ	≤ 50mΩ
Insulation Resistance	≥ 1000MΩ	≥ 1000MΩ
Dielectric Strength	2000VAC	2000VAC
Operation Temp.	-20°C ~ +70°C	-20°C ~ +70°C
Mechanical Life	1,000,000cycles	1,000,000cycles
Electrical Life	50,000 cycles	50,000 cycles
Contact Material	Silver Alloy	Silver Alloy
Panel Thickness	1 ~ 10mm	1 ~ 10mm
Torque	5 ~ 14Nm	5 ~ 14Nm
Operation Pressure	3~8N	3~8N
IP Degree	IP67	IP67
Material	Button	Stainless Steel
	Body	Stainless Steel
	Base	PA
	RoHS	Made to order
LED Spec.	Type	Ring Illuminated(LED)
	Rated Voltage	6V / 12V / 24V / 110V / 220V
	Color	R G Y O B W
	Life	40,000 hours

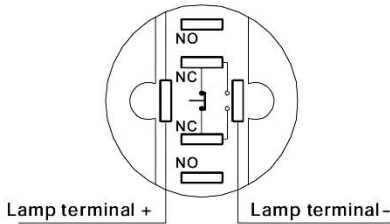
Introduction of product model refer to P1

**AVSGQ22ANTI-VANDAL PUSHBUTTONS**

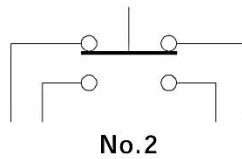
◆ Implication of Type

GQ	□□	-	□□	□	/	□	/	□	/	□
Code of Series	Mounting hole: 22 Φ22mm	Contact Structure: 11 1NO1NC	Lamp type: E ring No letter means without lamp.	The crust material: N Nickel Plated Brass G Glod Plated Brass S Stainless Steel	Lamp Color: R red G green Y yellow O orange B blue W white	Lamp voltage: 6V AC/DC 12V AC/DC 24V AC/DC 110V AC/DC 220V AC/DC				

◆ Terminal Arrangement



◆ Switching Operation

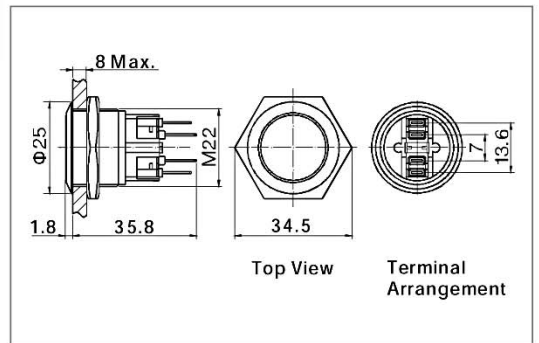


**PUSH BUTTON SWITCH**



AVSGQ22-11

- ⊙ Φ22mm diameter
- ⊙ 5A/250VAC
- ⊙ 1NO1NC
- ⊙ Switching:No.2
- ⊙ The Front Shape:Flat Round
- ⊙ The crust material:Stainless Steel/  
Brass(Nikel Plated,Gold Plated)
- ⊙ IP Degree:IP65



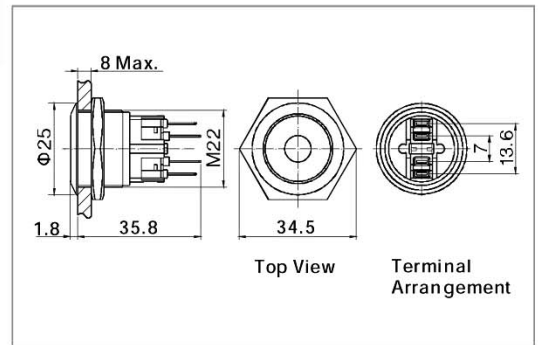
Introduction of product model refer to P1

### DOT ILLUMINATED PUSH BUTTON SWITCH



AVSGQ22-11D

- ⊙  $\Phi$ 22mm diameter
- ⊙ 5A/250VAC
- ⊙ 1NO1NC
- ⊙ Switching:No.2
- ⊙ The Front Shape:Flat Round
- ⊙ The crust material:Stainless Steel/  
Brass(Nikel Plated,Gold Plated)
- ⊙ IP Degree:IP65

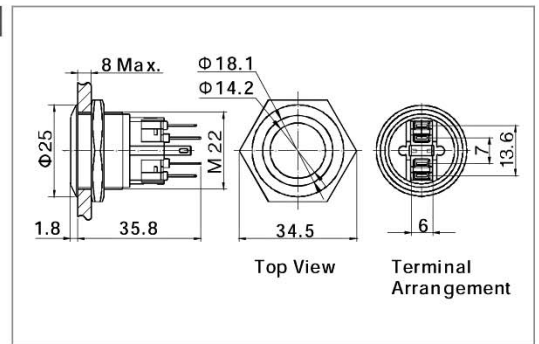


### RING ILLUMINATED PUSH BUTTON SWITCH



AVSGQ22-11E

- ⊙  $\Phi$ 22mm diameter
- ⊙ 5A/250VAC
- ⊙ 1NO1NC
- ⊙ Switching:No.2
- ⊙ The Front Shape:Flat Round
- ⊙ The crust material:Stainless Steel/  
Brass(Nikel Plated,Gold Plated)
- ⊙ IP Degree:IP65



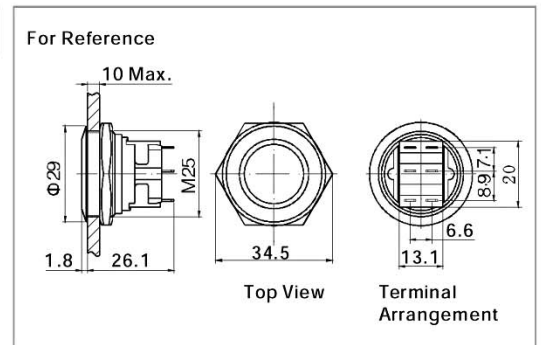
Specification	AVSGQ22-11	AVSGQ22-11D	AVSGQ22-11E
The Front Shape	Flat Round	Flat Round	Flat Round
Terminal Type	Pin Terminal(2.8×0.5mm)	Pin Terminal(2.8×0.5mm)	Pin Terminal(2.8×0.5mm)
Switching	No.2	No.2	No.2
Max.Switch Rating	5A/250VAC	5A/250VAC	5A/250VAC
Contact Resistance	≤ 50mΩ	≤ 50mΩ	≤ 50mΩ
Insulation Resistance	≥ 1000MΩ	≥ 1000MΩ	≥ 1000MΩ
Dielectric Strength	2000VAC	2000VAC	2000VAC
Operation Temp.	-20°C ~ +70°C	-20°C ~ +70°C	-20°C ~ +70°C
Mechanical Life	1,000,000cycles	1,000,000cycles	1,000,000cycles
Electrical Life	50,000 cycles	50,000 cycles	50,000 cycles
Contact Material	Silver Alloy	Silver Alloy	Silver Alloy
Panel Thickness	1 ~ 8mm	1 ~ 8mm	1 ~ 8mm
Torque	5 ~ 14Nm	5 ~ 14Nm	5 ~ 14Nm
Operation Pressure	3~8N	3~8N	3~8N
IP Degree	IP65	IP65	IP65
Material	Button	Stainless Steel	Stainless Steel
	Body	Stainless Steel	Stainless Steel
	Base	PA	PA
	RoHS	Made to order	Made to order
LED Spec.	Type	-	Dot Illuminated(LED)
	Rated Voltage	-	6V / 12V / 24V / 110V / 220V
	Color	-	R G Y O B W
	Life	-	40,000 hours

Introduction of product model refer to P1

**PUSH BUTTON SWITCH**

AVSQ25-B

- ⊙  $\Phi 25$ mm diameter
- ⊙ 5A/250VAC
- ⊙ 1NO1NC/2NO2NC
- ⊙ Switching:No.3
- ⊙ The Front Shape:Flat Round
- ⊙ The crust material:Stainless Steel/  
Brass(Nikel Plated,Gold Plated)
- ⊙ IP Degree:IP67



Introduction of product model refer to P1