

AJ-010-26 Serie

Duplex Jack PCB Type - SINGLE PORT

Specifications

Material

Housing : High Strength Thermoplastic Polyester
Contacts : Phosphor Bronze
Contact Plating : Gold Over Nickel On Mating Area, Tin-lead Alloy On Tails
Shield : Copper Alloy, Tin Plated

Electrical

UL & cUL File : E131820
FCC File : E149026

Ordering Information

AJ-XXX-X-X

NUMBER OF POSITIONS

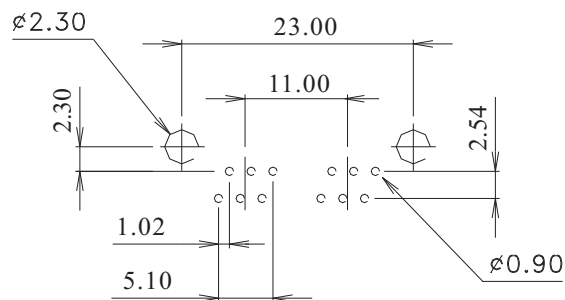
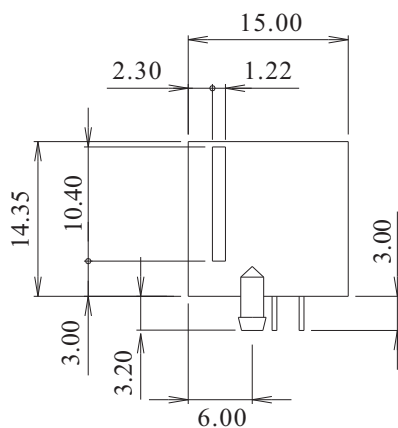
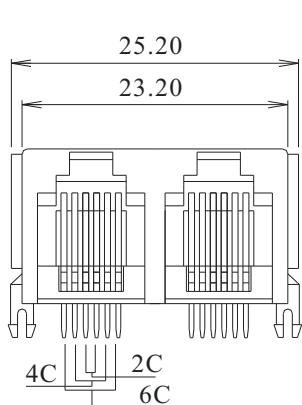
010-26 6 Positions

NUMBER OF POSITIONS & CONTACTS

B = 6p2c C = 6p4c
D = 6p6c

GOLD PLATING

1 = 15u , 3 = 50u
2 = 30u , 4 = 6u



PCB LAYOUT