

AJ-020 Serie

Side & top Gang Jack - SINGLE PORT

Specifications

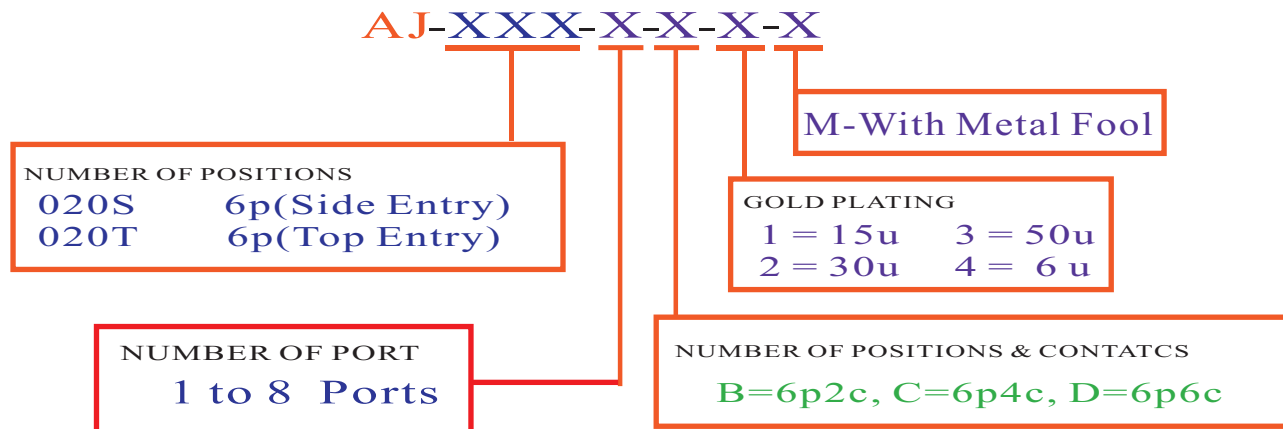
Material

Housing :	High Strength Thermoplastic Polyester
Contacts :	Phosphor Bronze
Contact Plating :	Gold Over Nickel On Mating Ared, Tin-lead Alloy On Tails
Shield :	Copper Alloy, Tin Plated

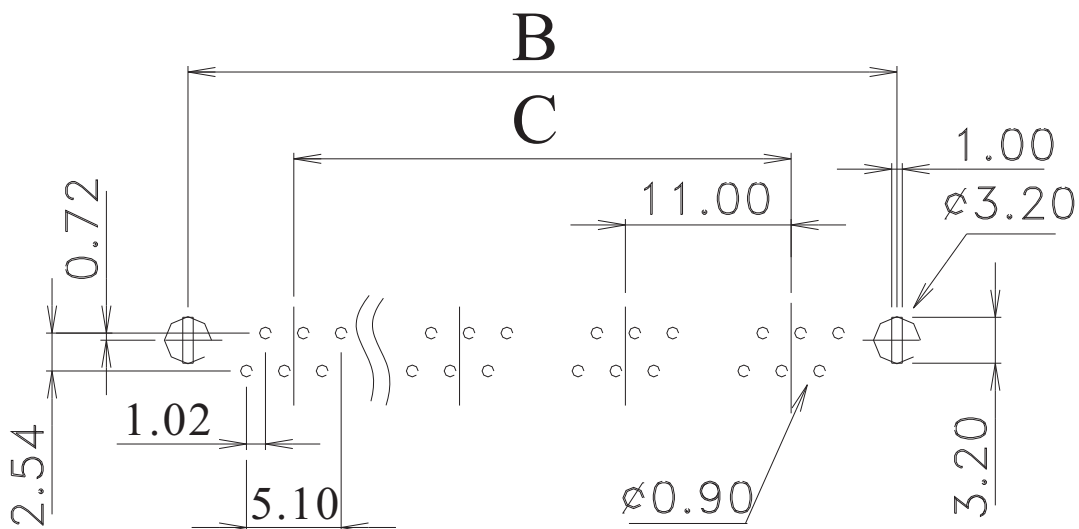
Electrical

UL & cUL File :	E131820
FCC File :	E149026

Ordering Information



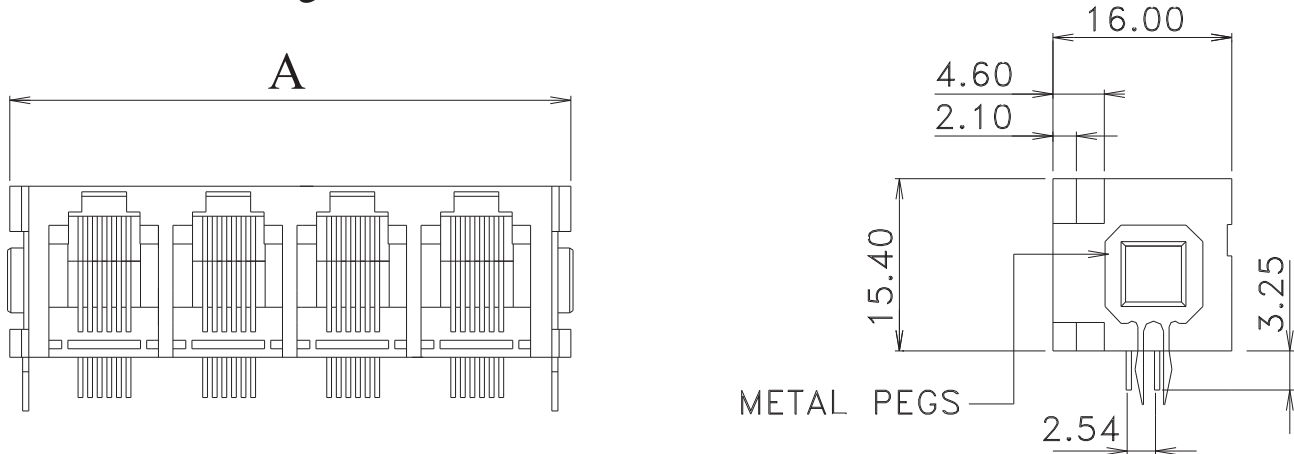
PCB LAYOUT



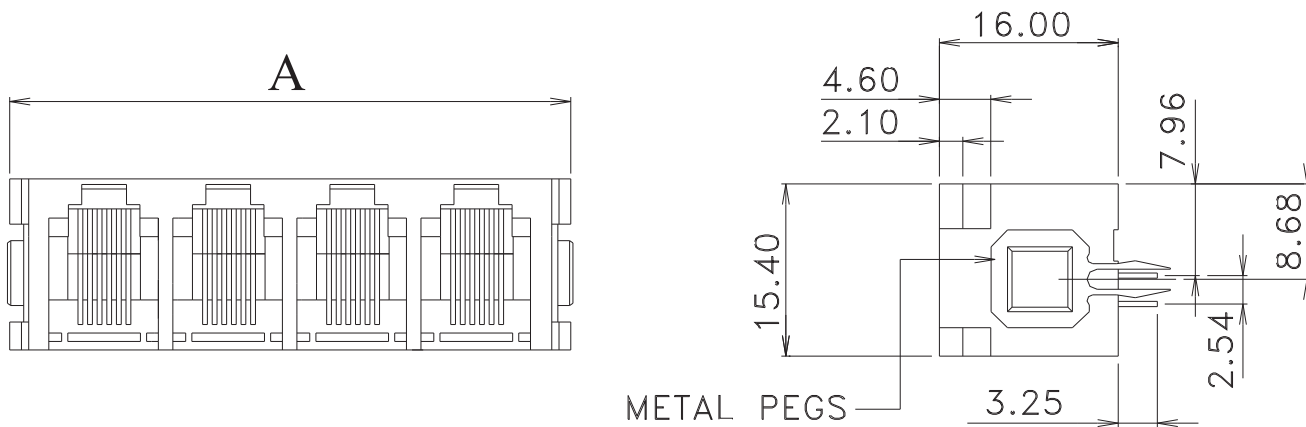
AJ-020 Serie

Side & top Gang Jack - SINGLE PORT

Side Entry



Top Entry



Number Of ports	2	3	4	5	6	7	8
A	28.20	39.20	50.20	61.20	72.20	83.20	94.20
B	25.20	36.20	47.20	58.20	69.20	80.20	91.20
C	11.00	22.00	33.00	44.00	55.00	66.00	77.00