

500 600 Serie

Double Deck Gang Jack - SINGLE PORT

Specifications

Material

Housing :	High Strength Thermoplastic Polyester
Contacts :	Phosphor Bronze
Contact Plating :	Gold Over Nickel On Mating Area, Tin-lead Alloy On Tails
Shield :	Copper Alloy, Tin Plated

Electrical

UL & cUL File :	E131820
FCC File :	E149026

Ordering Information

AJ-XXX-XX-X-X-X

NUMBER OF POSITIONS
500 - Non Shielded
600 - Shielded

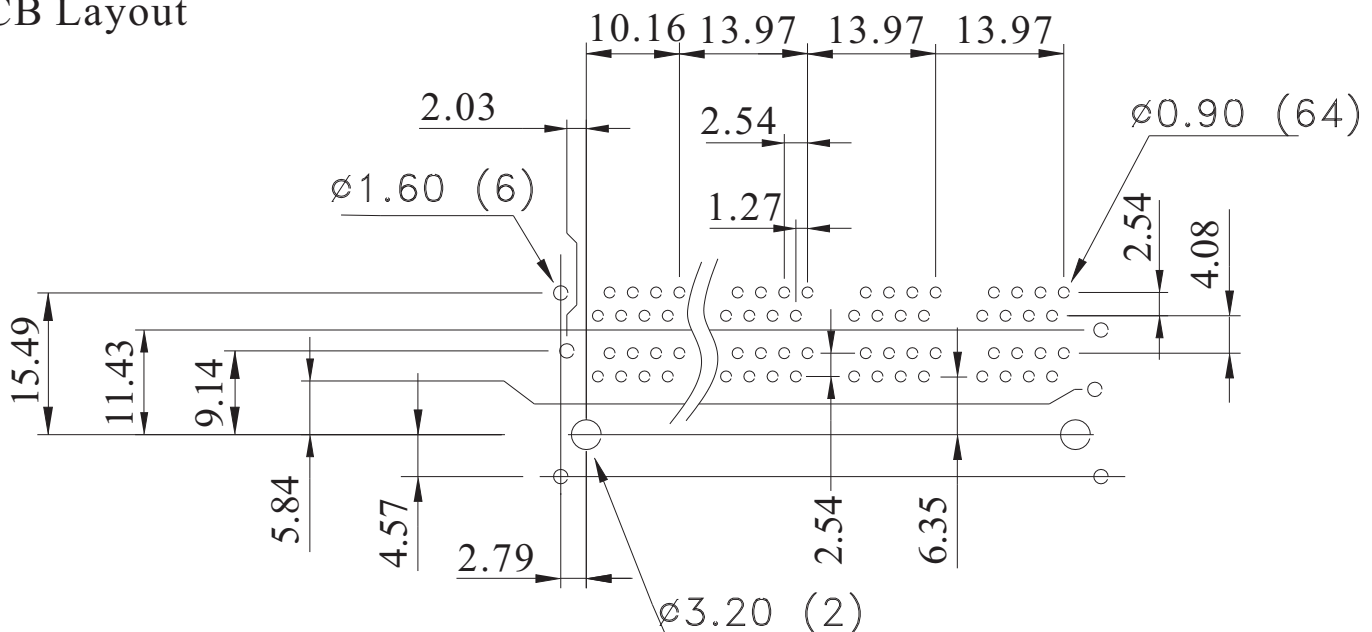
NUMBER OF PORTS
21= 2 Ports, 22= 4 Ports
23= 6 Ports, 24= 8 Ports
26=12 Ports, 28=16 Ports

NUMBER OF POSITIONS & CONTACTS
F = 8p8c B = 6p2c
C = 6p4c D = 6p6c

A=With Panel Ground Without Inner Shielded
B=With Panel Ground / Inner Shielded
C=Without Panel Ground, With Inner Shielded
D=Without Panel Ground / Inner Shielded

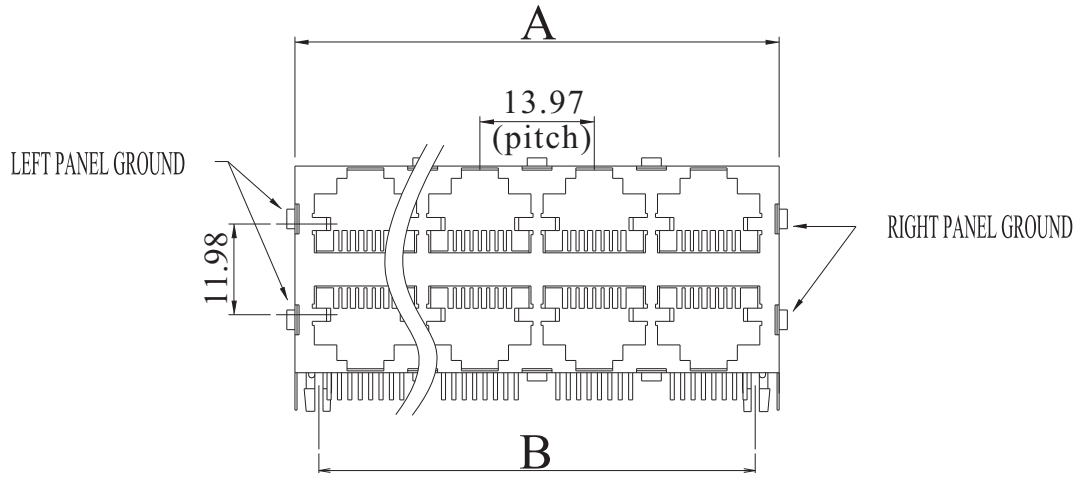
GOLD PLATING
1 = 15u , 3 = 50u
2 = 30u , 4 = 6u

PCB Layout

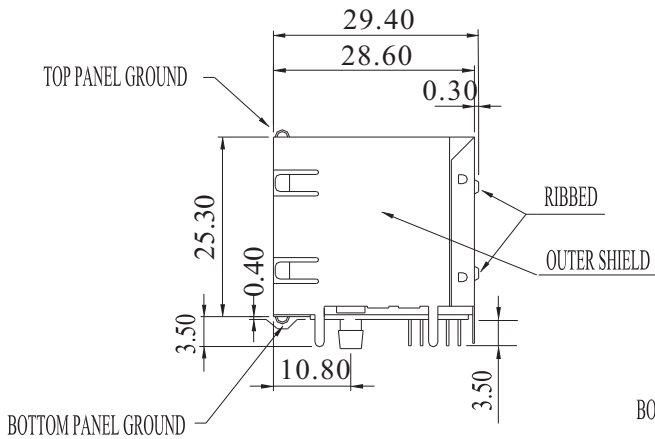


500 600 Serie

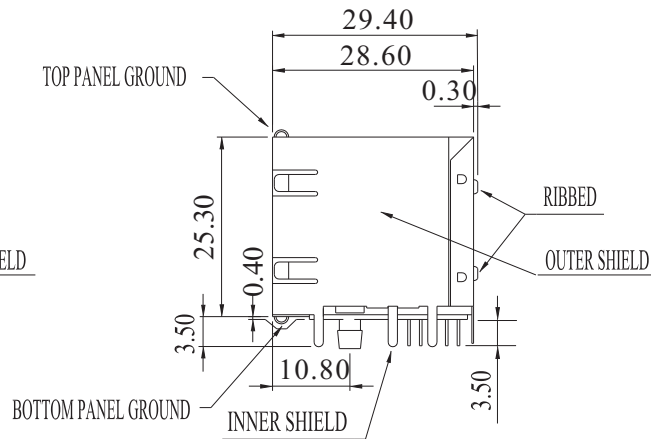
Double Deck Gang Jack - SINGLE PORT



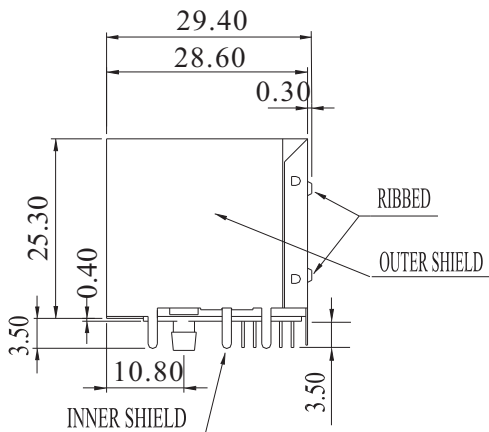
Number Of positions	21	22	23	24	26	28
AJ-500 (A)	16.50	30.50	34.50	48.50		
AJ-500 (B)	11.43	25.40	39.37	53.34		
AJ-600 (A)	17.25	31.25	45.25	59.25	87.25	115.25
AJ-600 (B)	11.43	25.40	39.37	53.34	81.28	109.22



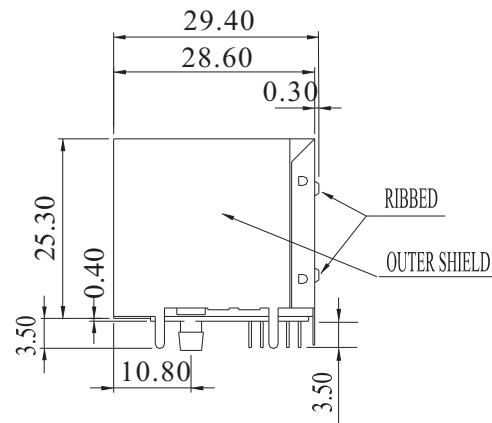
(A)



(B)



(C)



(D)