

# AJ-001 AJ-002 Serie

## Bottom Entry - SINGLE PORT

### Specifications

#### Material

**Housing:** High Strength Thermoplastic Polyester  
**Contacts:** Phosphor Bronze  
**Contact Plating:** Gold Over Nickel On Mating Area, Tin-lead Alloy On Tails  
**Shield:** Copper Alloy, Tin Plated

#### Electrical

**UL & cUL File:** E131820  
**FCC File:** E149026

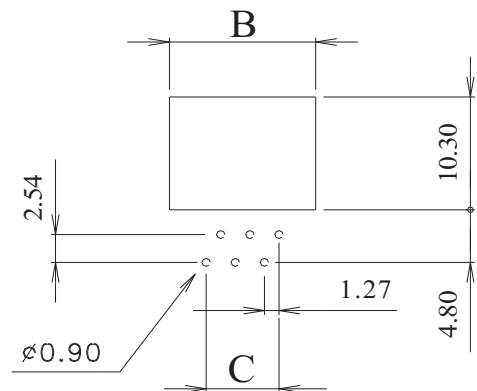
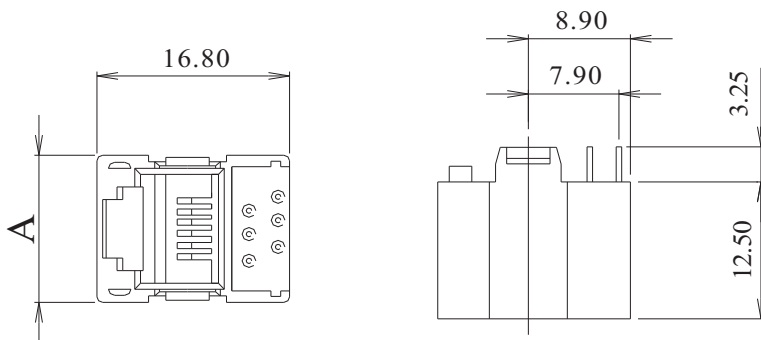
### Ordering Information

AJ-XXX-X-X

NUMBER OF POSITIONS  
 001 - 4 Positions  
 002 - 6 Positions

NUMBER OF POSITIONS & CONTACTS  
 A = 4p4c    B = 6p2c  
 C = 6p4c    D = 6p6c

GOLD PLATING  
 1 = 15u, 3 = 50u  
 2 = 30u, 4 = 6u



PCB LAYOUT

Number Of positions	A	B	C
4	11.39	10.21	3.81
6	13.50	12.20	6.35