

AJ-001 AJ-002 Serie

Bottom Entry - SINGLE PORT

Specifications

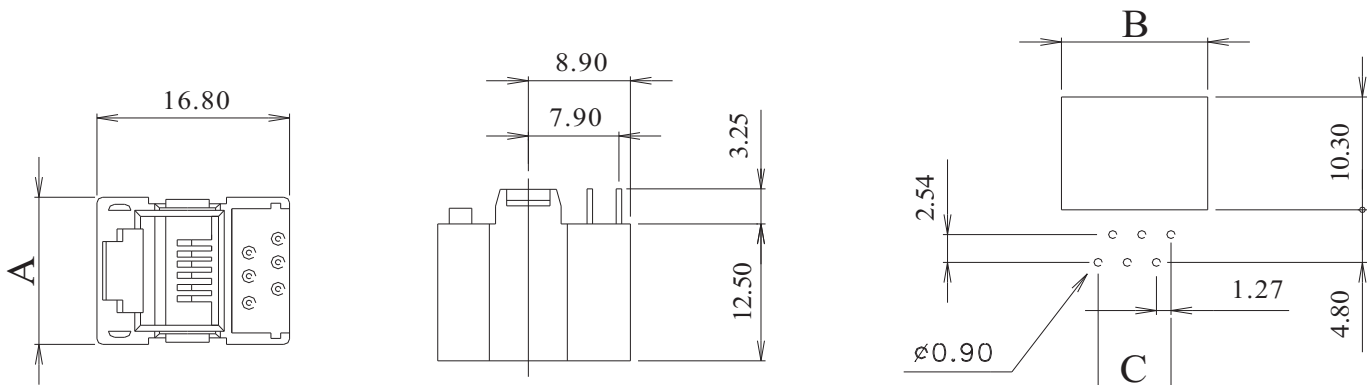
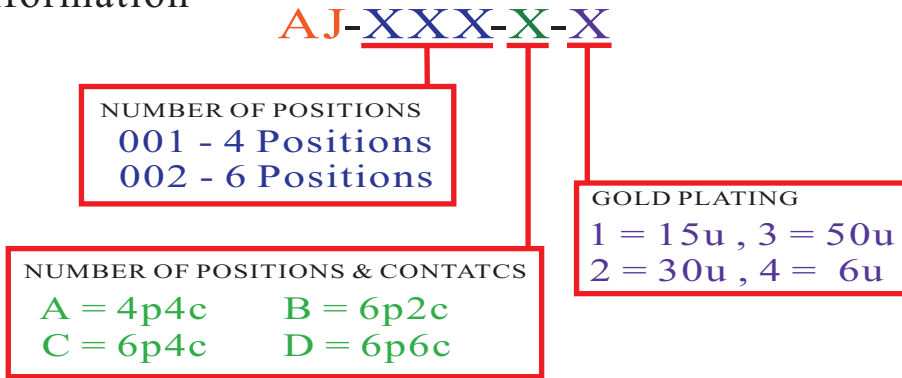
Material

Housing: High Strength Thermoplastic Polyester
Contacts: Phosphor Bronze
Contact Plating: Gold Over Nickel On Mating Area, Tin-lead Alloy On Tails
Shield: Copper Alloy, Tin Plated

Electrical

UL & cUL File: E131820
FCC File: E149026

Ordering Information



PCB LAYOUT

Number Of positions	A	B	C
4	11.39	10.21	3.81
6	13.50	12.20	6.35