

AJ-004

AJ-005

AJ-006

Serie

LOW PROFILE - SINGLE PORT

Specifications

Material

Housing: High Strength Thermoplastic Polyester
Contacts: Phosphor Bronze
Contact Plating: Gold Over Nickel On Mating Area, Tin-lead Alloy On Tails
Shield: Copper Alloy, Tin Plated

Electrical

UL & cUL File: E131820
 FCC File: E149026

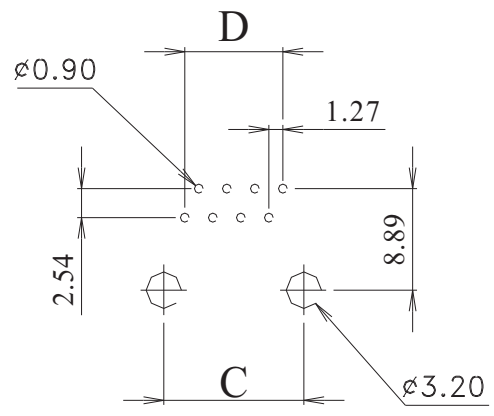
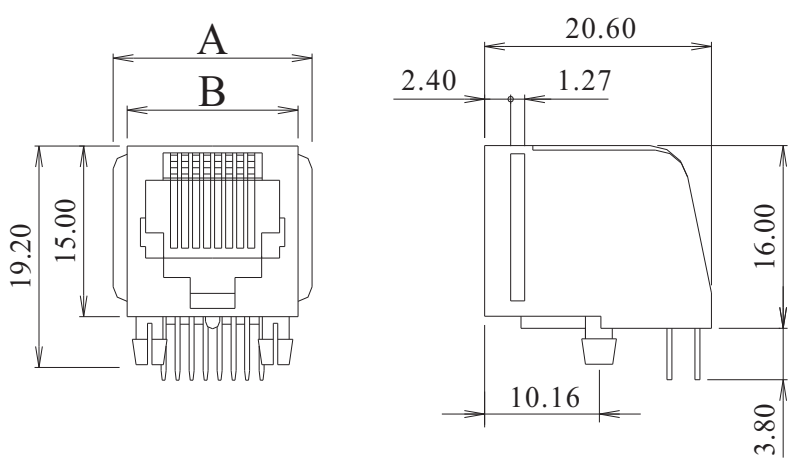
Ordering Information

AJ-XXX-X-X

NUMBER OF POSITIONS
 001 - 4 Positions
 002 - 6 Positions

NUMBER OF POSITIONS & CONTACTS
 A = 4p4c
 B = 6p2c, C = 6p4c, D = 6p6c
 F = 8p8c

GOLD PLATING
 1 = 15u, 3 = 50u
 2 = 30u, 4 = 6u



Number Of positions	A	B	C	D
4	11.18	13.70	7.62	3.81
6	13.21	15.70	10.16	6.35
8	15.24	17.78	11.43	8.89