

AJ-004

AJ-005

AJ-006

# Serie

## LOW PROFILE - SINGLE PORT

### Specifications

#### Material

**Housing:** High Strength Thermoplastic Polyester  
**Contacts:** Phosphor Bronze  
**Contact Plating:** Gold Over Nickel On Mating Area, Tin-lead Alloy On Tails  
**Shield:** Copper Alloy, Tin Plated

#### Electrical

UL & cUL File: E131820  
 FCC File: E149026

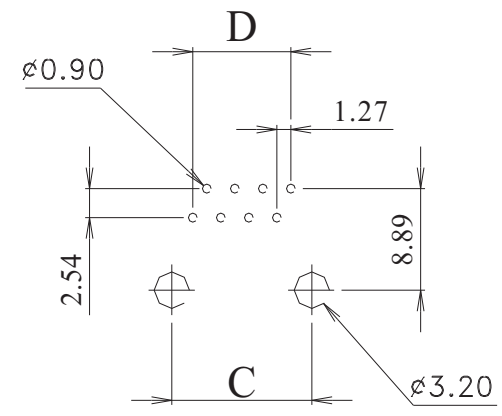
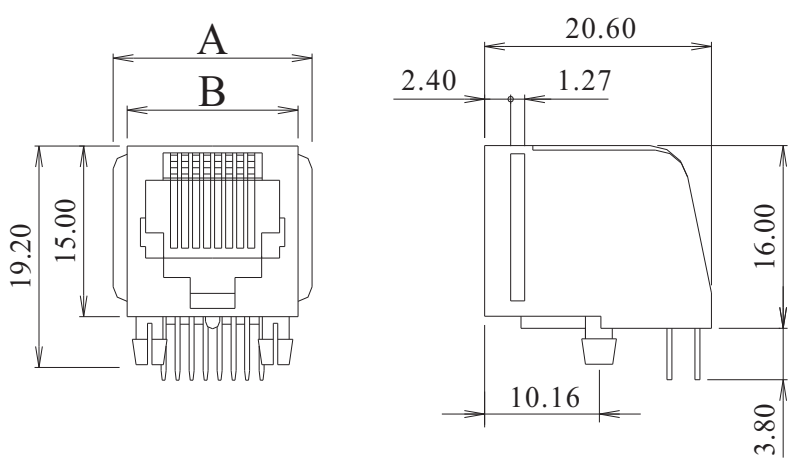
### Ordering Information

AJ-XXX-X-X

NUMBER OF POSITIONS  
 001 - 4 Positions  
 002 - 6 Positions

NUMBER OF POSITIONS & CONTACTS  
 A = 4p4c  
 B = 6p2c, C = 6p4c, D = 6p6c  
 F = 8p8c

GOLD PLATING  
 1 = 15u, 3 = 50u  
 2 = 30u, 4 = 6u



Number Of positions	A	B	C	D
4	11.18	13.70	7.62	3.81
6	13.21	15.70	10.16	6.35
8	15.24	17.78	11.43	8.89