

# AJ-007 AJ-008 Serie

## PCB Socket Side Entry - SINGLE PORT

### Specifications

#### Material

**Housing :** High Strength Thermoplastic Polyester  
**Contacts :** Phosphor Bronze  
**Contact Plating :** Gold Over Nickel On Mating Area, Tin-lead Alloy On Tails  
**Shield :** Copper Alloy, Tin Plated

#### Electrical

**UL & cUL File :** E131820  
**FCC File :** E149026

### Ordering Information

AJ-XXX-X-X-X-X-X

#### NUMBER OF POSITIONS

007-4 4 Positions  
 007-6 6 Positions  
 008 8 Positions  
 007SH - 6P (Shielded)  
 008SH - 8P (Shielded)

#### NUMBER OF POSITIONS & CONTACTS

F = 8p8c  
 B = 6p2c , C = 6p4c , D = 6p6c

Shielded Tab  
 A - Tab A  
 B - Tab B

#### GOLD PLATING

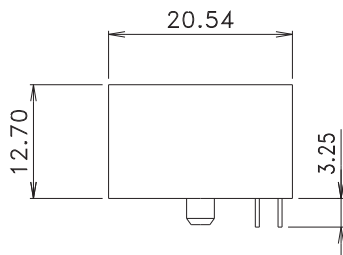
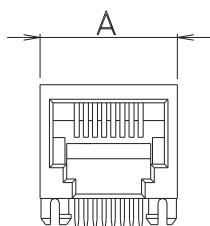
1 = 15u  
 2 = 30u  
 3 = 50u  
 4 = 6u

FB - Filtered  
 C5 - Category 5

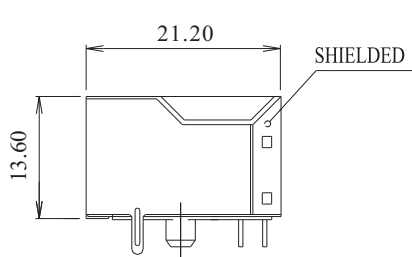
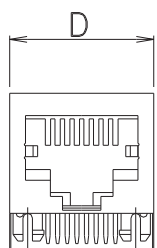
#### The Style Of Shield

N-Nickel Plated Shield T-Tin Plated Shield

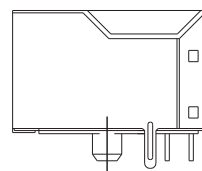
- 1-Non-Panel Ground
- 2-Top Side With Panel Ground
- 3-Top & Bottom 2 Sides With Panel Ground
- 4-Top & Left & Right 3 Sides With Panel Ground
- 5-Top & Bottom & Left & Right 4 Sides With Panel Ground



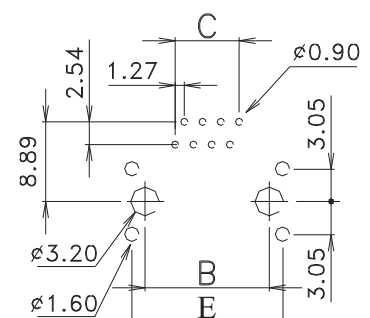
Number Of positions	A	B	C	D	E
4	11.26	7.62	3.81		
6	13.21	10.16	6.35	13.90	13.50
8	15.24	11.43	8.89	15.90	15.50



TAB A.



TAB B.



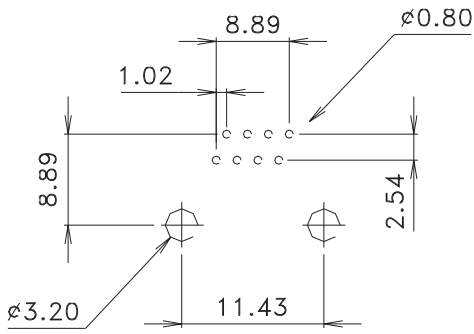
PCB LAYOUT

# AJ-007 Serie

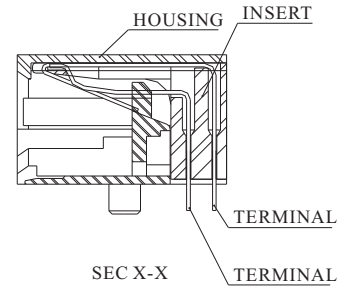
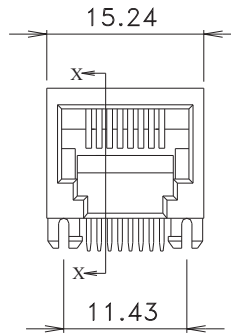
## AJ-008

### PCB Socket Side Entry - SINGLE PORT

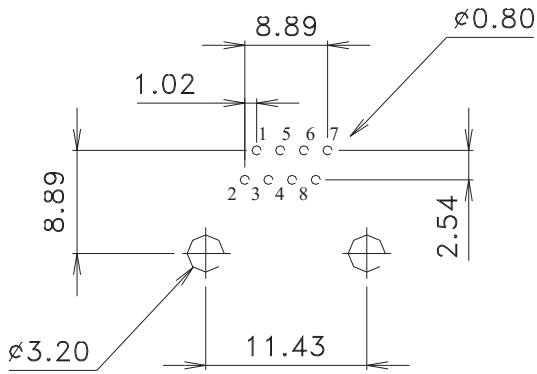
#### Category 5



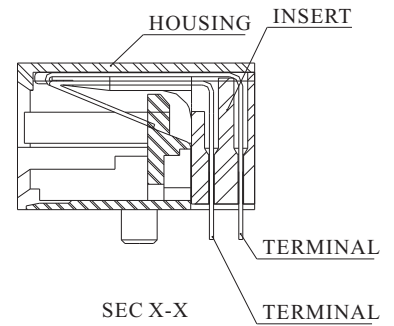
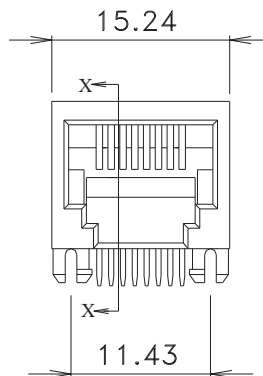
PCB LAYOUT



#### Category 5A



PCB LAYOUT



#### Ferrite

