

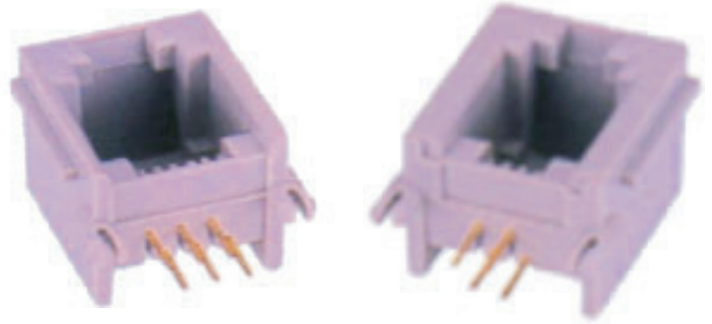
AJ-010 AJ-011 Serie

LOW PROFILE - SINGLE PORT

Specifications

Material

Housing : High Strength Thermoplastic Polyester
Contacts : Phosphor Bronze
Contact Plating : Gold Over Nickel On Mating Area, Tin-lead Alloy On Tails
Shield : Copper Alloy, Tin Plated



Electrical

UL & cUL File : E131820
FCC File : E149026

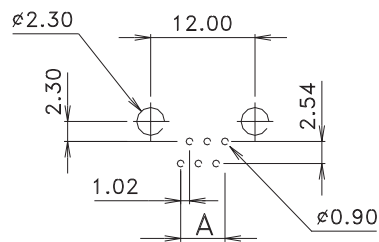
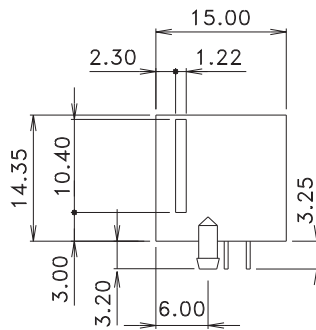
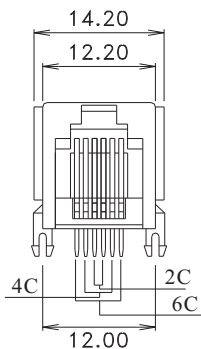
Ordering Information

AJ-XXX-X-X

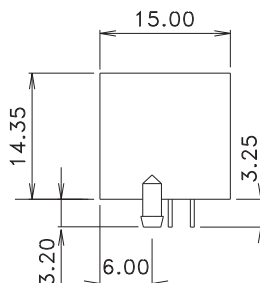
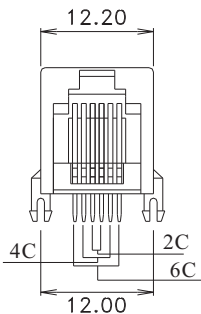
NUMBER OF POSITIONS
 010 - Flanged
 011 - flangeless

GOLD PLATING
 1 = 15u , 3 = 50u
 2 = 30u , 4 = 6u

NUMBER OF POSITIONS & CONTACTS
 A = 4p4c B = 6p2c
 C = 6p4c D = 6p6c



PCB LAYOUT



Number Of positions	A
2	1.02
4	3.06
6	5.10