

# AJ-026 Serie

Mini Low Profile - SINGLE PORT

## Specifications

### Material

Housing: High Strength Thermoplastic Polyester  
Contacts: Phosphor Bronze  
Contact Plating: Gold Over Nickel On Mating Area, Tin-lead Alloy On Tails  
Shield: Copper Alloy, Tin Plated

### Electrical

UL & cUL File: E131820  
FCC File: E149026

## Ordering Information

AJ-XXX-X-X

### NUMBER OF POSITIONS

026-4 4 Positions  
026-6(SH) 6 Positions(Shielded)  
026-8(SH) 8 Positions(Shielded)  
026-10(SH) 10 Positions(Shielded)

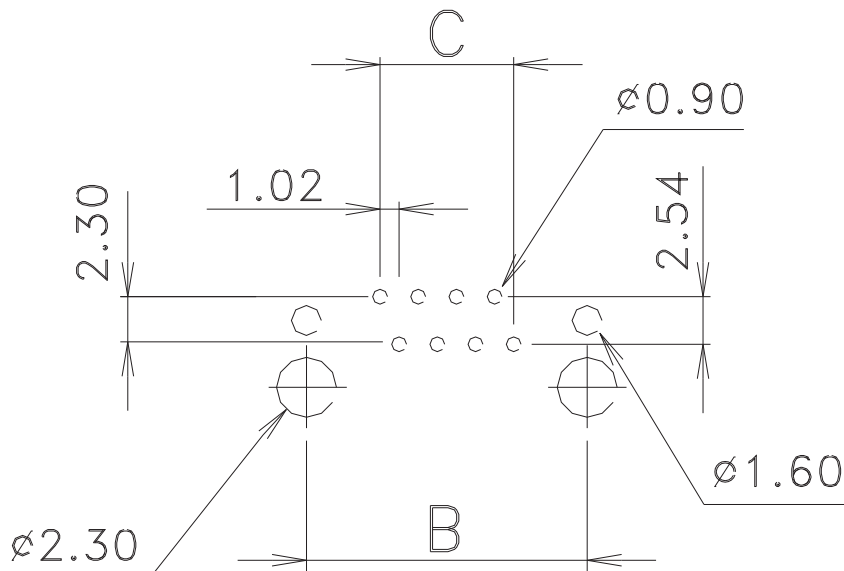
### GOLD PLATING

1 = 15u , 3 = 50u  
2 = 30u , 4 = 6u

### NUMBER OF POSITIONS & CONTACTS

A = 4p4c  
B = 6p2c , C = 6p4c , D = 6p6c  
F = 8p8c , G=10p10c

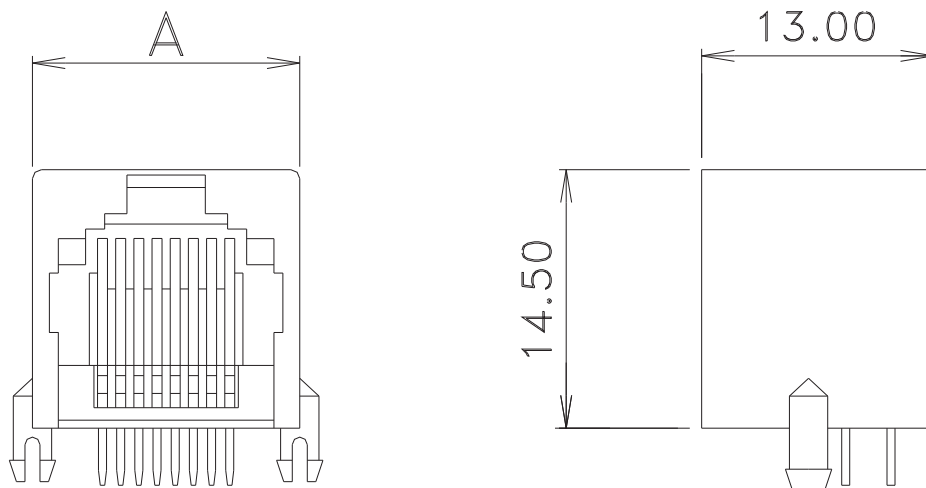
## PCB Layout



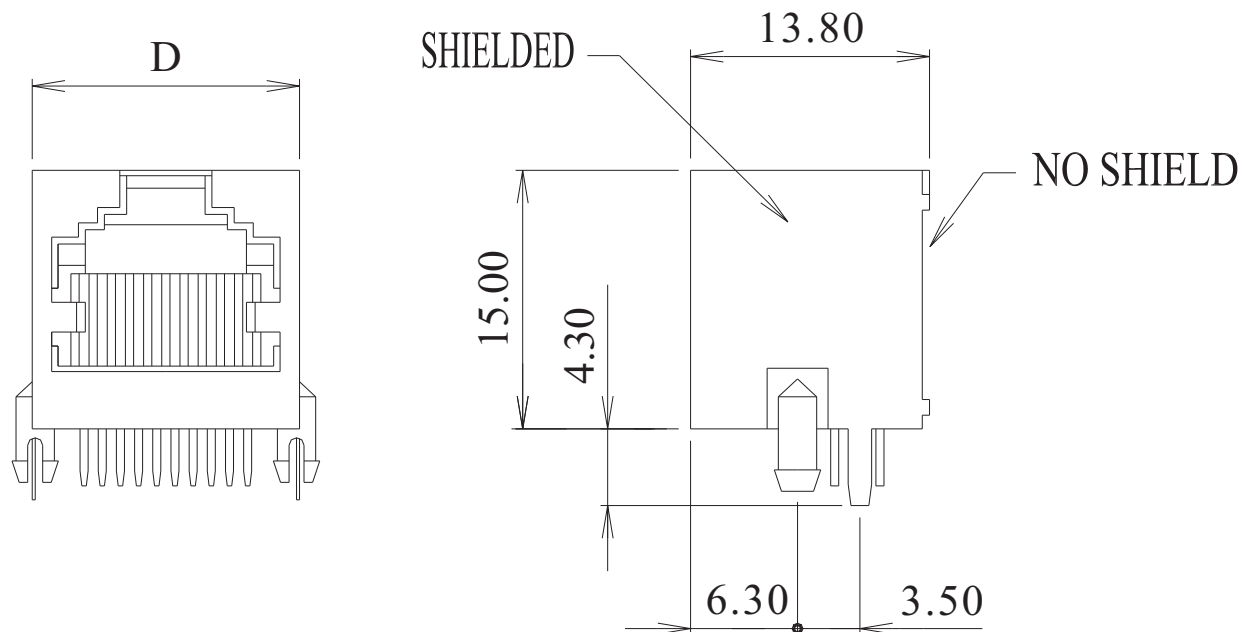
# AJ-026 Serie

Mini Low Profile - SINGLE PORT

## Non Shielded



## Shielded



Number Of positions	A	B	C	D
4	10.00	10.00	3.06	
6	12.20	12.00	5.10	13.10
8	15.00	15.00	7.14	15.90
10	15.00	15.00	9.18	15.90