

AJ-033 Serie

Low Profile Mount Jack - SINGLE PORT

Specifications

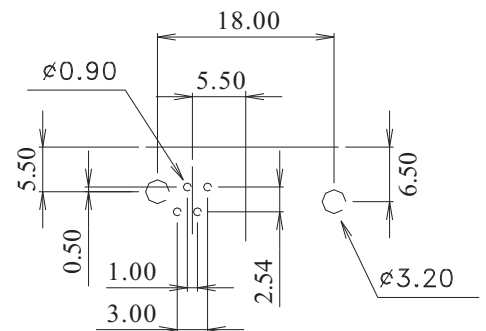
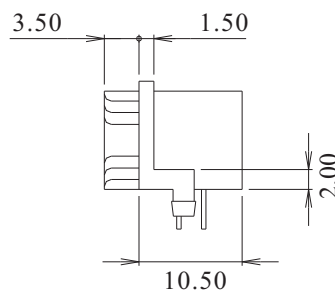
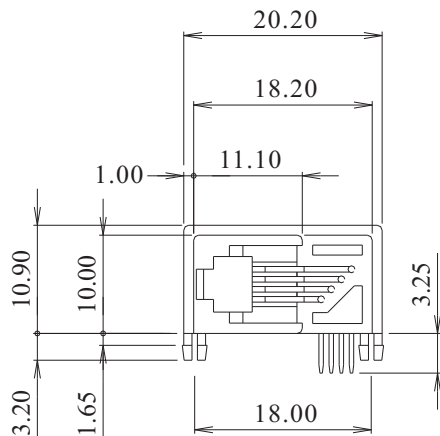
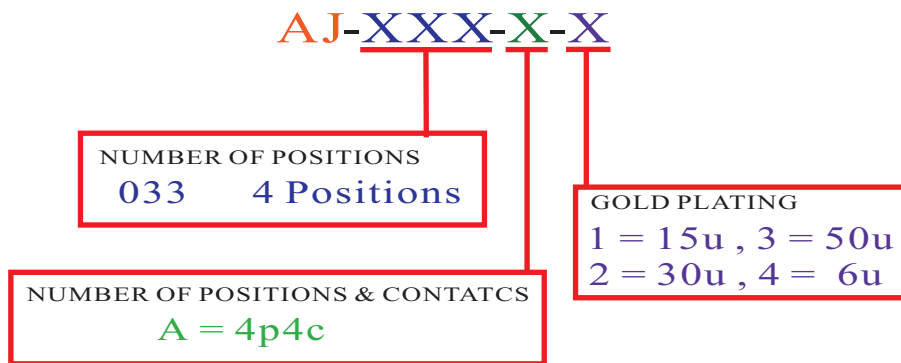
Material

Housing :	High Strength Thermoplastic Polyester
Contacts :	Phosphor Bronze
Contact Plating :	Gold Over Nickel On Mating Area, Tin-lead Alloy On Tails
Shield :	Copper Alloy, Tin Plated

Electrical

UL & cUL File :	E131820
FCC File :	E149026

Ordering Information



PCB LAYOUT