

AJ-072 Serie

Top entry SMT Jacks - SINGLE PORT

Specifications

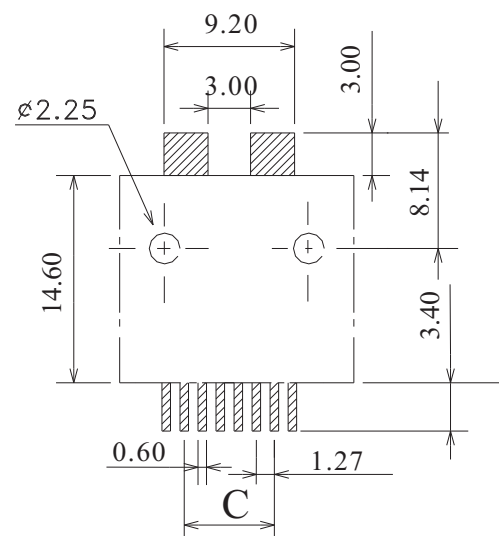
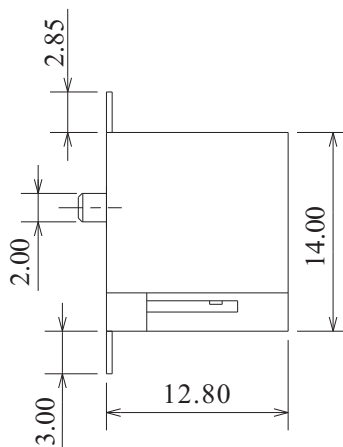
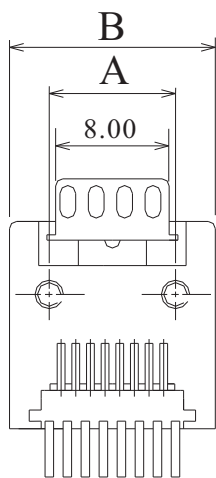
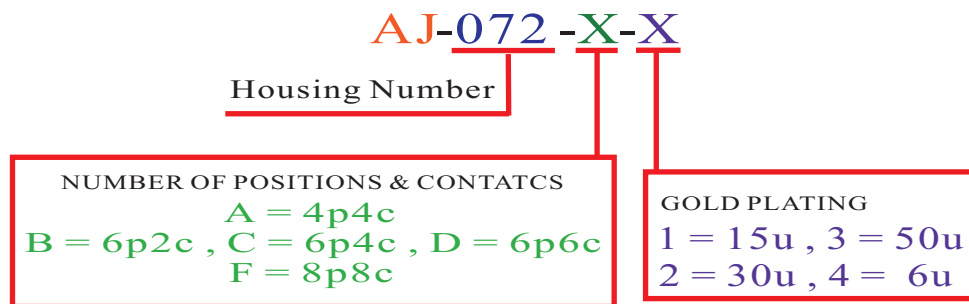
Material

Housing: High Strength Thermoplastic Polyester
Contacts: Phosphor Bronze
Contact Plating: Gold Over Nickel On Mating Area, Tin-lead Alloy On Tails
Shield: Copper Alloy, Tin Plated

Electrical

UL & cUL File: E131820
FCC File: E149026

Ordering Information



Number Of positions	A	B	C
4	7.62	11.10	3.81
6	10.16	13.21	6.35
8	12.70	15.50	8.89