

# AJ-073 Serie

Top entry SMT Jacks - SINGLE PORT

## Specifications

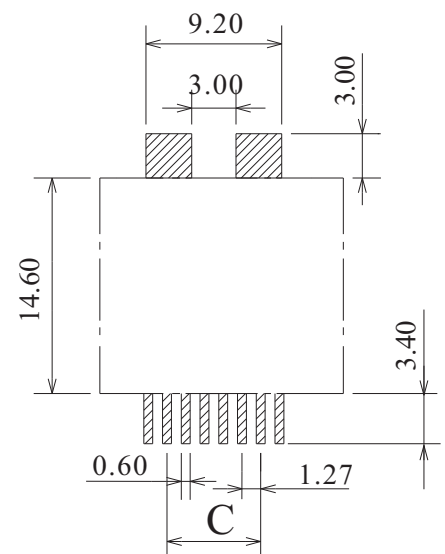
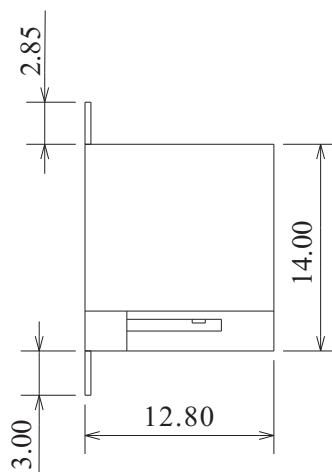
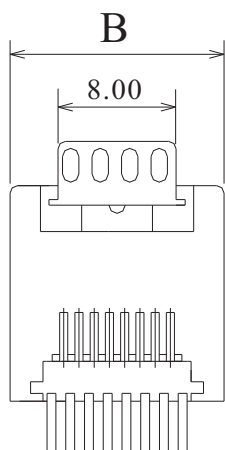
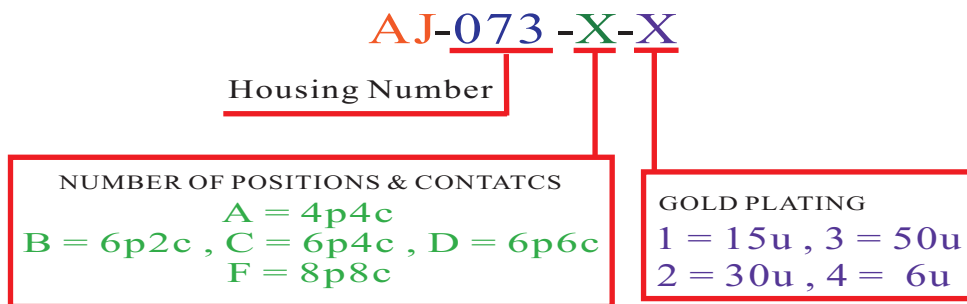
### Material

**Housing:** High Strength Thermoplastic Polyester  
**Contacts:** Phosphor Bronze  
**Contact Plating:** Gold Over Nickel On Mating Area, Tin-lead Alloy On Tails  
**Shield:** Copper Alloy, Tin Plated

### Electrical

**UL & cUL File:** E131820  
**FCC File:** E149026

## Ordering Information



Number Of positions	A	B	C
4	—	11.10	3.81
6	—	13.21	6.35
8	—	15.50	8.89